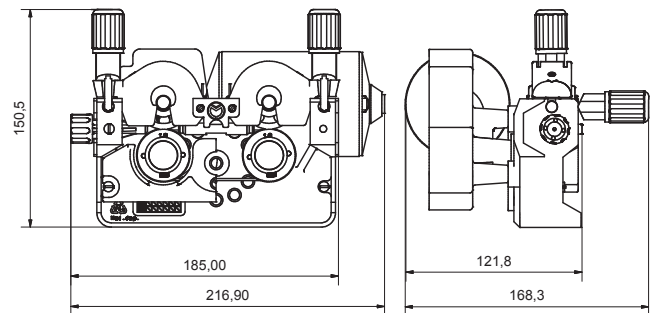
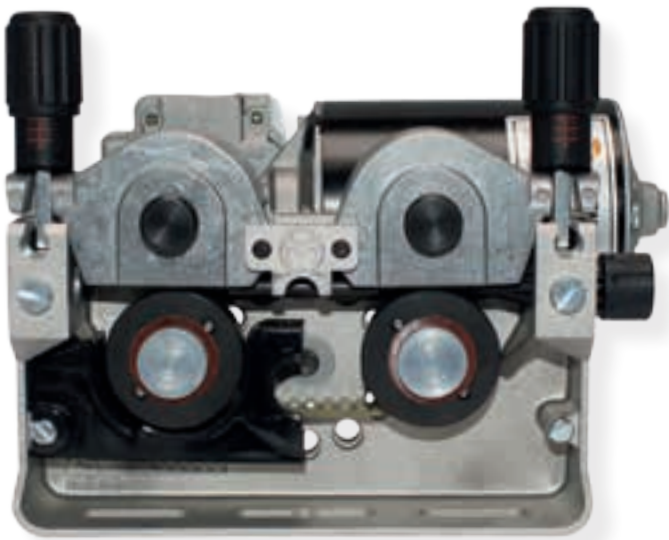




## SERIES ME2000 4-ROLL 37mm WIRE DRIVE SYSTEM BELT DRIVE



### Technical Data:

<b>Drive Mechanism:</b>	2 Drive Pinions Geared
<b>Pressure Arm:</b>	Aluminium / Glas Fibre Reinforced Plastic (GRP)
<b>Feed plate:</b>	Aluminium
<b>Rolls:</b>	37mm
<b>Motor Positions:</b>	2

Type	Drive Mechanism	Pressure Arm	Item no.
MESR 2040-37 Belt Drive	2-Roll Driven Geared	GRP Pressure-Arm / side release	103600*
MEFR 2040-37 Belt Drive	2-Roll Driven Geared	GRP Pressure-Arm / front release	103650*
MEFR 2042-37 Belt Drive Auto-Lift	2-Roll Driven Geared	Aluminium Pressure-Arm Auto-Lift / front release	103700*

\* Wire Drive System supplied complete, less Motor



## Motor Options:

Type	Voltage [V]	Drive [rpm]	Torque [Nm] 60% Cycle	Torque [Nm] continuous operation	Item no.
KSV 5035-551	24	200	4.0	2.5	80030
KSV 5035-552	42	200	4.0	2.5	80031
KSV 5035-556 Tacho	42	200	4.0	2.5	80033
KSV 5035-601 Exten. Shaft	42	200	4.0	2.5	80045
KSV 5035-601 ME Tacho 1V	42	220	4.0	2.5	80047
KSV 5035-661 Encoder / air cooled	42	250	10.0	4.0	80138

other motors on request



## Feed Rolls 37mm:

Type	Groove	Wire Ø	Item no.
Feed Roll V Groove 0.6 + 0.8mm	V	0.6 + 0.8mm	77000
Feed Roll V Groove 0.8 + 1.0mm	V	0.8 + 1.0mm	77001
Feed Roll V Groove 1.0 + 1.2mm	V	1.0 + 1.2mm	77002
Feed Roll V Groove 1.2 + 1.6mm	V	1.2 + 1.6mm	77003
Feed Roll U Groove 0.8 + 0.9mm A	U	0.8 + 0.9mm	77004
Feed Roll U Groove 1.0 + 1.2mm A	U	1.0 + 1.2mm	77005
Feed Roll U Groove 1.2 + 1.6mm A	U	1.2 + 1.6mm	77006
Feed Roll U Groove 2.4 + 3.2mm A	U	2.4 + 3.2mm	77007
Feed Roll V Groove 1.0 + 1.2mm knurled	V knurled	1.0 + 1.2mm	-
Feed Roll V Groove 1.0/1.2 + 1.4/1.6mm knurled	V knurled	1.0/1.2 + 1.4/1.6mm	77008
Feed Roll V Groove 1.4 + 1.6mm knurled	V knurled	1.4 + 1.6mm	-
Feed Roll V Groove 1.4/1.6 + 2.0/2.4mm knurled	V knurled	1.4/1.6 + 2.0/2.4mm	77009

other feed rolls see catalogue feed rolls or on request

**Mechafin AG**  
 Chrummacherstr. 3 | CH-8954 Geroldswil | Switzerland  
 Telephone +41 44 749 30 60 | Facsimile +41 44 749 30 70  
 Mail [info@mechafin.ch](mailto:info@mechafin.ch) | Web [www.mechafin.com](http://www.mechafin.com)

**Mechafin Ltd**  
 Leigh Street | High Wycombe | Buckinghamshire | HP11 2QU UK  
 Telephone +44 1494 441 110 | Facsimile +44 1494 473 049  
 Mail [enquiries@mechafin.co.uk](mailto:enquiries@mechafin.co.uk) | Web [www.mechafin.com](http://www.mechafin.com)

All descriptions included in this catalogue are correct at the time of printing and may be subject to change and alternation from time to time. The contents used in this catalogue are property of Mechafin AG. This means, they are protected copyrights and/or trademarks or otherwise protected by ownership law.