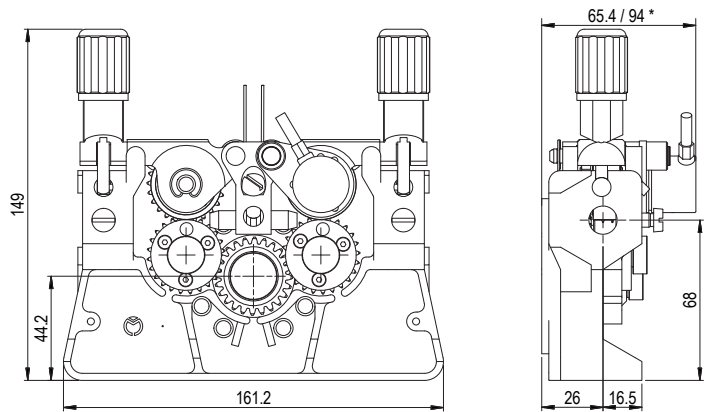
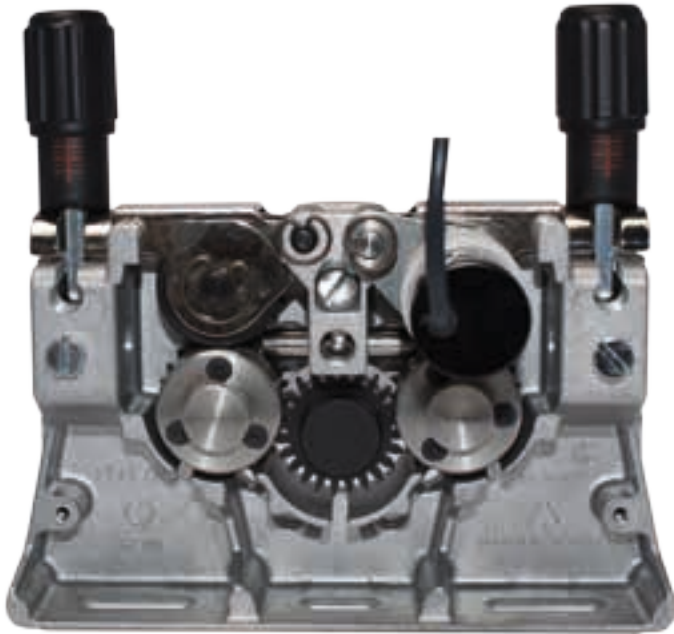




## SERIES MEFR9943-1010 HD 4-ROLL WIRE DRIVE SYSTEM



### Technical Data:

<b>Drive Mechanism:</b>	2 or 4 Drive Pinions Geared
<b>Pressure Arm:</b>	Aluminium / Glass Fibre Reinforced Plastic (GRP)
<b>Feed Plate:</b>	Aluminium
<b>Rolls:</b>	30mm - 3 bore
<b>Motor Positions:</b>	9

\* insulated encoder

Type	Drive Mechanism	Pressure Arm	Feed Roll Class	Item no.
MEFR9943-1012 HD	4-Roll Driven Geared	Alu Pressure arm / front release	Standard	116334

### Options:

Type	Pressure Arm	Alignment	Item no.
Pressure arm left with encoder Baumer 360 pulse	front release	left	116393
Pressure arm left with encoder Baumer 500 pulse	front release	left	116394
Pressure arm left with encoder Omron 360 pulse insulated	front release	left	116294
Pressure arm left with encoder Omron 200 pulse insulated	front release	left	115758
Pressure arm right for encoder Omron	front release	right	116315
Encoders Omron E6A2-CW5C-360 pulse	-	-	116293
Encoders Omron E6A2-CW5C-200pulse	-	-	115760
Pressure arm right for encoder Baumer	front release	right	114984
Encoders Baumer BTIV E6A2-C-360 pulse	-	-	116303
Encoders Baumer BTIV E6A2-C-500 pulse	-	-	115054
Pressure arm left with flat pressure roller	-	left	62273
Pressure arm left with knurled pressure roller	-	left	62367
Pressure arm right with flat pressure roller	-	right	62365
Pressure arm right with knurled pressure roller	-	right	62272

other pressure arm on request



### Motor Options:

Type	Voltage [V]	Drive [rpm]	Torque [Nm] 60% Cycle	Torque [Nm] continuous operation	Item no.
KSV 5035-551	24	200	4.0	2.5	80030
KSV 5035-552	42	200	4.0	2.5	80031
KSV 5035-556 Tacho	42	200	4.0	2.5	80033
KSV 5035-601 Exten. Shaft	42	200	4.0	2.5	80045
KSV 5035-601 ME Tacho 1V	42	220	4.0	2.5	80047
KSV 5035-661 Encoder / air cooled	42	250	10.0	4.0	80138

other motors on request



### Feed Rolls 30mm:

Type	Groove	Wire Ø	Item no. Standard	Item no. T.B.G.
Feed Roll 3-bore V Groove 0.8 + 0.9mm	V	0.8 + 0.9mm	11793	-
Feed Roll 3-bore V Groove 1.0 + 1.2mm	V	0.8 + 1.0mm	117825	-
Feed Roll 3-bore V Groove 1.4 + 1.6mm	V	1.0 + 1.2mm	117932	-
Feed Roll 3-bore V Groove 1.6 + 1.6mm	V	1.2 + 1.6mm	116659	-
Feed Roll 3-bore V Groove 1.0 + 1.0mm HD	V	0.8 + 0.9mm	115976	-
Feed Roll 3-bore V Groove 1.2 + 1.2mm HD	V	1.0 + 1.2mm	115977	-
Feed Roll 3-bore V Groove 1.2 + 1.2mm knurled	V knurled	1.2 + 1.2mm	-	117433
Feed Roll 3-bore V Groove 2.8 + 2.8mm HD knurled	V knurled	2.8 + 2.8mm	117989	-
Feed Roll 3-bore V Groove 2.8 / 3.2mm HD knurled	V knurled	2.8 / 3.2mm	117338	-

other feed rolls on request | T.B.G. (Top and Bottom Groove)

**Mechafin AG**  
 Chrummacherstr. 3 | CH-8954 Geroldswil | Switzerland  
 Telephone +41 44 749 30 60 | Facsimile +41 44 749 30 70  
 Mail [info@mechafin.ch](mailto:info@mechafin.ch) | Web [www.mechafin.com](http://www.mechafin.com)

**Mechafin Ltd**  
 Leigh Street | High Wycombe | Buckinghamshire | HP11 2QU UK  
 Telephone +44 1494 441 110 | Facsimile +44 1494 473 049  
 Mail [enquiries@mechafin.co.uk](mailto:enquiries@mechafin.co.uk) | Web [www.mechafin.com](http://www.mechafin.com)

All descriptions included in this catalogue are correct at the time of printing and may be subject to change and alternation from time to time. The contents used in this catalogue are property of Mechafin AG. This means, they are protected copyrights and/or trademarks or otherwise protected by ownership law.