

Motor 42VDC, 250rpm, 117.6watt

Left side with encoder 1x 60 pulse

Item number: 80138

Product weight (kg): 1.77 kg

Packing unit: 1



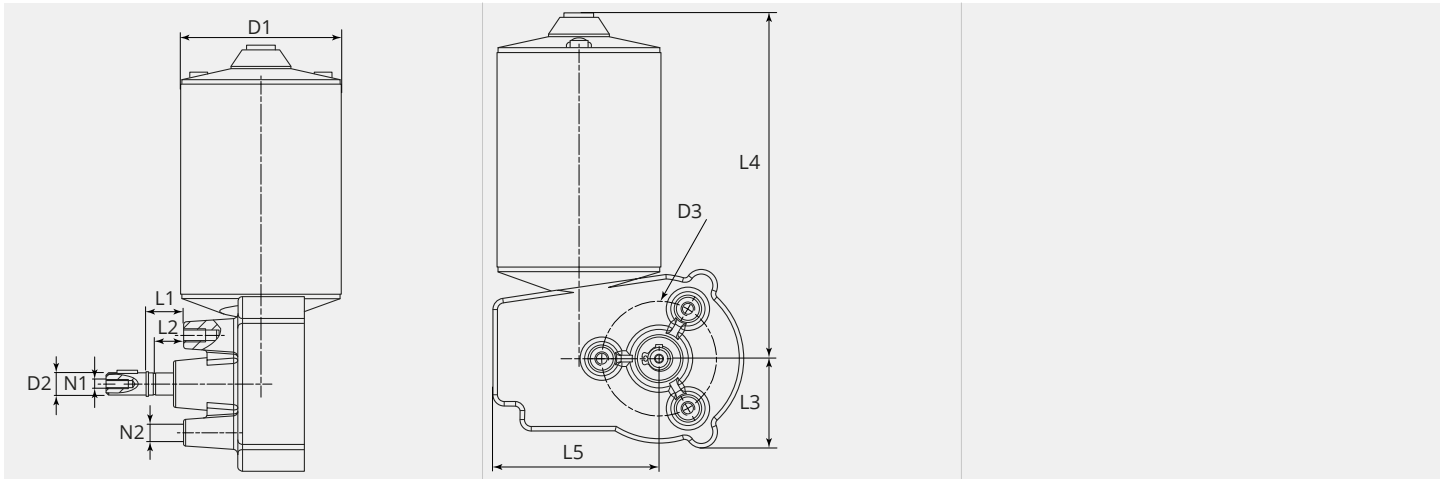
PRODUCT DESCRIPTION

Left side with encoder 1x 60 pulse



TECHNICAL CHARACTERISTICS

Speed (rpm):	250
Operating voltage DC (V):	42
Current (A):	2.8
Power (W):	117.6
Additional:	Encoder 1x 60 pulse
Operating voltage for encoder DC (V):	5
Version:	Left
Wire speed 30mm feedroll (m/min.):	23.56
Wire speed 37mm feedroll (m/min.):	29.06
Wire speed 40mm feedroll (m/min.):	31.41
Active cooling:	ventilator
Suitable:	ME8900, ME9300, ME9500, ME9800, ME9900-4R, ME2000

DIMENSIONAL DRAWING

DIMENSIONAL DRAWING

L1 (mm):	17.0
L2 (mm):	13.7
L3 (mm):	39.5
L4 (mm):	184.5
L5 (mm):	73.5
D1 (Ø):	73
D2 (Ø):	10-h6
D3 (Ø):	50.8
N1:	M4
N2:	M6