

# Motor 42VDC, 258rpm, 126.0watt

Left side with tacho

Item number:	80116
Product weight (kg):	1.82 kg
Packing unit:	1



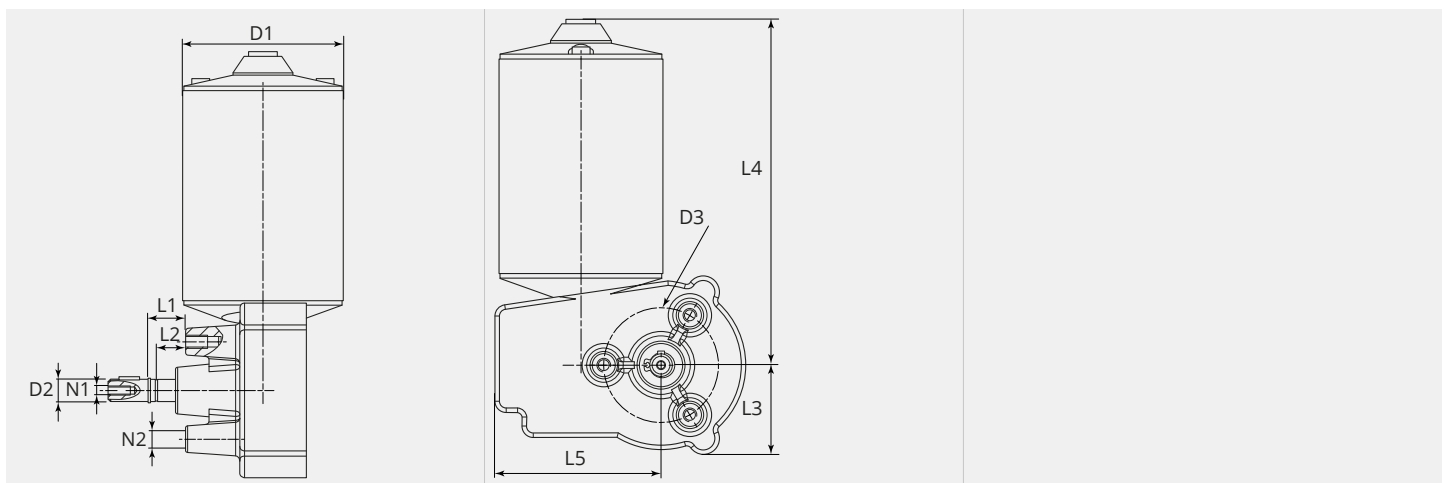
## PRODUCT DESCRIPTION

Left side with tacho

## TECHNICAL CHARACTERISTICS

Speed (rpm):	258
Operating voltage DC (V):	42
Current (A):	3.0
Power (W):	126
Additional:	Tacho
Version:	Left
Wire speed 30mm feedroll (m/min.):	24.32
Wire speed 37mm feedroll (m/min.):	29.99
Wire speed 40mm feedroll (m/min.):	32.42
Active cooling:	no
Suitable:	ME8900, ME9300, ME9500, ME9800, ME9900-4R, ME2000

## DIMENSIONAL DRAWING



**DIMENSIONAL DRAWING**

<b>L1 (mm):</b>	17.0
<b>L3 (mm):</b>	39.5
<b>L4 (mm):</b>	168.0
<b>L5 (mm):</b>	73.5
<b>D1 (Ø):</b>	73
<b>D2 (Ø):</b>	10-h6
<b>D3 (Ø):</b>	50.8
<b>N1:</b>	M4
<b>N2:</b>	M6