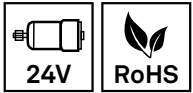


# Motor 24VDC, 200rpm, 72.0watt

Left side with synthetic housing for self-tapping fastening screws

Item number:	80060
Product weight (kg):	0.836 kg
Packing unit:	1



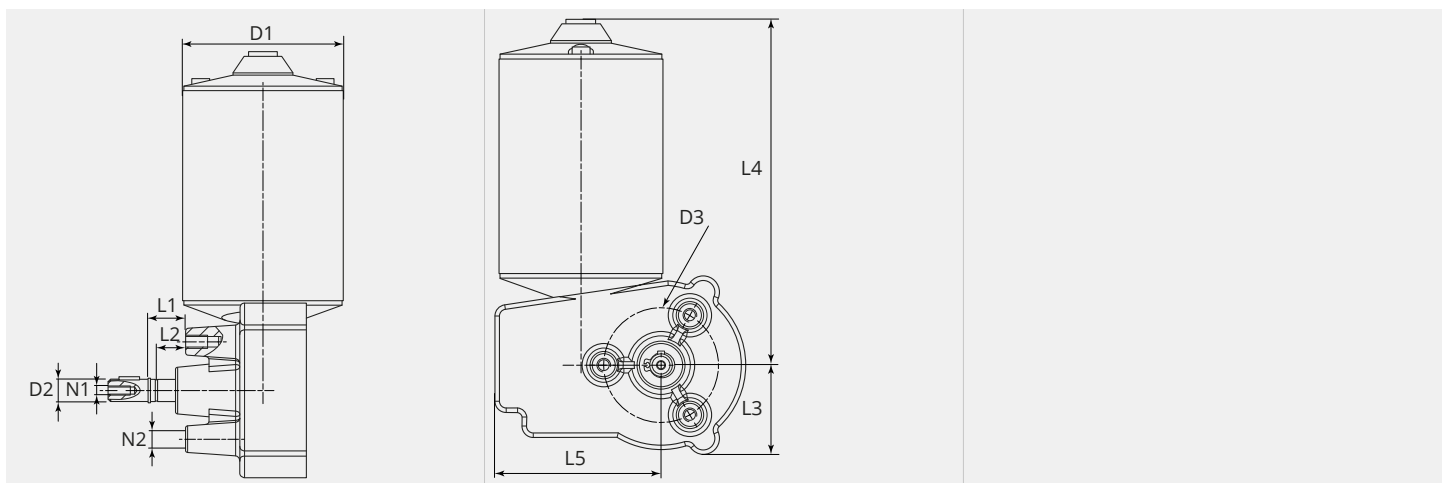
## PRODUCT DESCRIPTION

Left side with synthetic housing for self-tapping fastening screws

## TECHNICAL CHARACTERISTICS

Speed (rpm):	200
Operating voltage DC (V):	24
Current (A):	3.0
Power (W):	72
Additional:	-
Version:	Left
Wire speed 30mm feedroll (m/min.):	18.85
Wire speed 37mm feedroll (m/min.):	23.25
Wire speed 40mm feedroll (m/min.):	25.13
Active cooling:	no
Suitable:	ME8700, ME8900, ME9800, ME9900-2R, ME9900-4R, ME2500

## DIMENSIONAL DRAWING





## DIMENSIONAL DRAWING

L1 (mm):	15.5
L2 (mm):	12.5
L3 (mm):	45.0
L4 (mm):	126.0
L5 (mm):	71.5
D1 (Ø):	59
D2 (Ø):	10-f6
D3 (Ø):	50.8
N1:	M4
N2:	For self-tapping screws WN1412 6x20