

# Motor 42VDC, 80rpm, 105.0watt

Left side with encoder 2x 60 pulse

Item number:	80052
Product weight (kg):	1.203 kg
Packing unit:	1



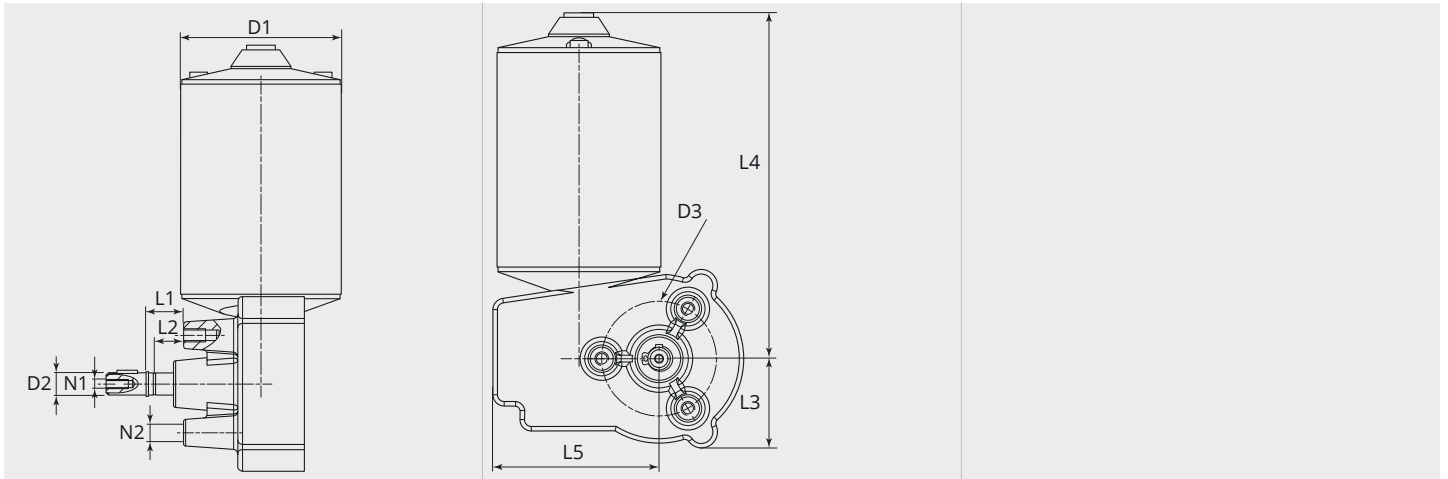
## PRODUCT DESCRIPTION

Left side with encoder 2x 60 pulse



**TECHNICAL CHARACTERISTICS**

<b>Speed (rpm):</b>	80
<b>Operating voltage DC (V):</b>	42
<b>Current (A):</b>	2.5
<b>Power (W):</b>	105
<b>Additional:</b>	Encoder 2x 60 pulse
<b>Operating voltage for encoder DC (V):</b>	5
<b>Version:</b>	Left
<b>Wire speed 30mm feedroll (m/min.):</b>	7.54
<b>Wire speed 37mm feedroll (m/min.):</b>	9.3
<b>Wire speed 40mm feedroll (m/min.):</b>	10.05
<b>Active cooling:</b>	no
<b>Suitable:</b>	ME8900, ME9300, ME9500, ME9800, ME9900-4R, ME2000

**DIMENSIONAL DRAWING**

**DIMENSIONAL DRAWING**

L1 (mm):	15.5
L2 (mm):	12.5
L3 (mm):	45.0
L4 (mm):	155.0
L5 (mm):	75.0
D1 (Ø):	71
D2 (Ø):	10-f6
D3 (Ø):	50.8
N1:	M4
N2:	M6