

Motor 42VDC, 270rpm, 105.0watt

Left side with tacho

Item number:	80050
Product weight (kg):	1.809 kg
Packing unit:	1



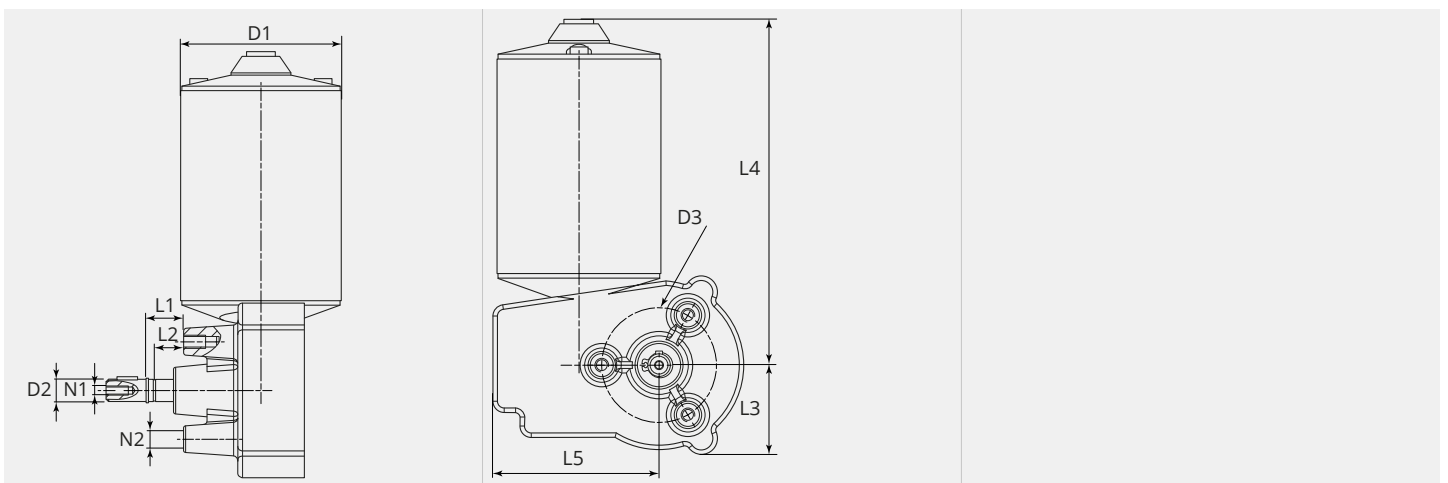
PRODUCT DESCRIPTION

Left side with tacho

TECHNICAL CHARACTERISTICS

Speed (rpm):	270
Operating voltage DC (V):	42
Current (A):	2.5
Power (W):	105
Additional:	Tacho
Version:	Left
Wire speed 30mm feedroll (m/min.):	25.45
Wire speed 37mm feedroll (m/min.):	31.38
Wire speed 40mm feedroll (m/min.):	33.93
Active cooling:	no
Suitable:	ME8900, ME9300, ME9500, ME9800, ME9900-4R, ME2000

DIMENSIONAL DRAWING



DIMENSIONAL DRAWING

L1 (mm):	17.0
L2 (mm):	13.7
L3 (mm):	39.5
L4 (mm):	168.0
L5 (mm):	73.5
D1 (Ø):	73
D2 (Ø):	10-h6
D3 (Ø):	50.8
N1:	M4
N2:	M6