

Motor 24VDC, 200rpm, 84.0watt

Left side with encoder 1x 60 pulse

| | |
|----------------------|----------|
| Item number: | 80042 |
| Product weight (kg): | 1.695 kg |
| Packing unit: | 1 |



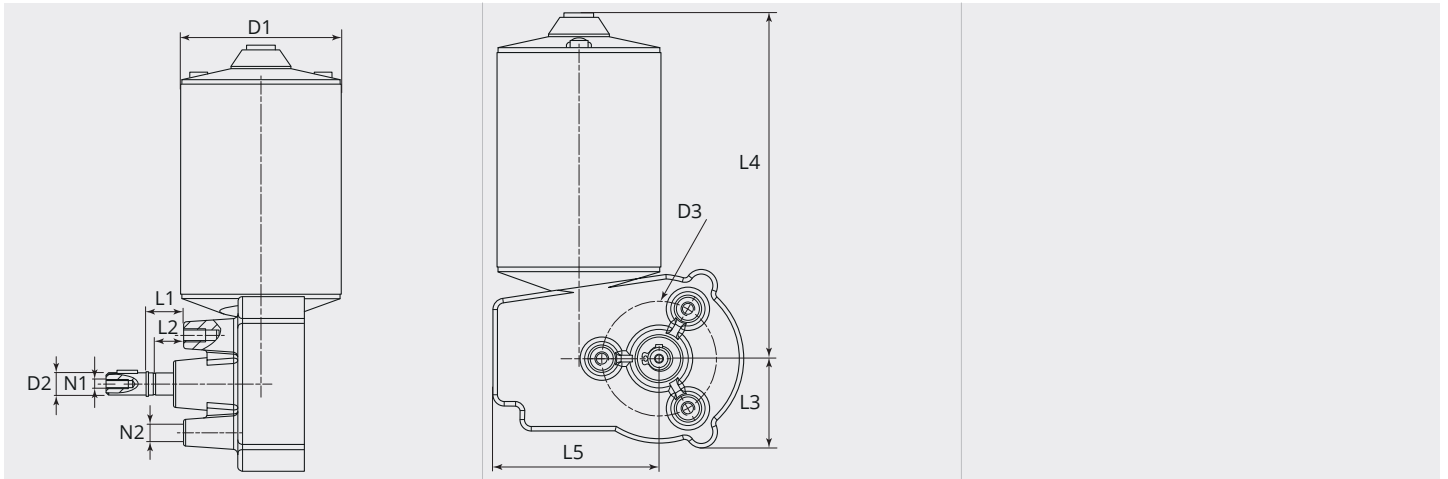
PRODUCT DESCRIPTION

Left side with encoder 1x 60 pulse



TECHNICAL CHARACTERISTICS

| | |
|--|--|
| Speed (rpm): | 200 |
| Operating voltage DC (V): | 24 |
| Current (A): | 3.5 |
| Power (W): | 84 |
| Additional: | Encoder 1x 60 pulse |
| Operating voltage for encoder DC (V): | 5 |
| Version: | Left |
| Wire speed 30mm feedroll (m/min.): | 18.85 |
| Wire speed 37mm feedroll (m/min.): | 23.25 |
| Wire speed 40mm feedroll (m/min.): | 25.13 |
| Active cooling: | no |
| Suitable: | ME8700, ME8900, ME9800, ME9900-2R, ME9900-4R, ME2500 |

DIMENSIONAL DRAWING

DIMENSIONAL DRAWING

| | |
|----------|-------|
| L1 (mm): | 12.5 |
| L3 (mm): | 39.5 |
| L4 (mm): | 170.0 |
| L5 (mm): | 73.5 |
| D1 (Ø): | 73 |
| D2 (Ø): | 10-h6 |
| D3 (Ø): | 50.8 |
| N1: | M4 |
| N2: | M6 |