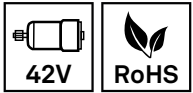


# Motor 42VDC, 230rpm, 71.4watt

Left side

Item number:	80039
Product weight (kg):	1.62 kg
Packing unit:	1



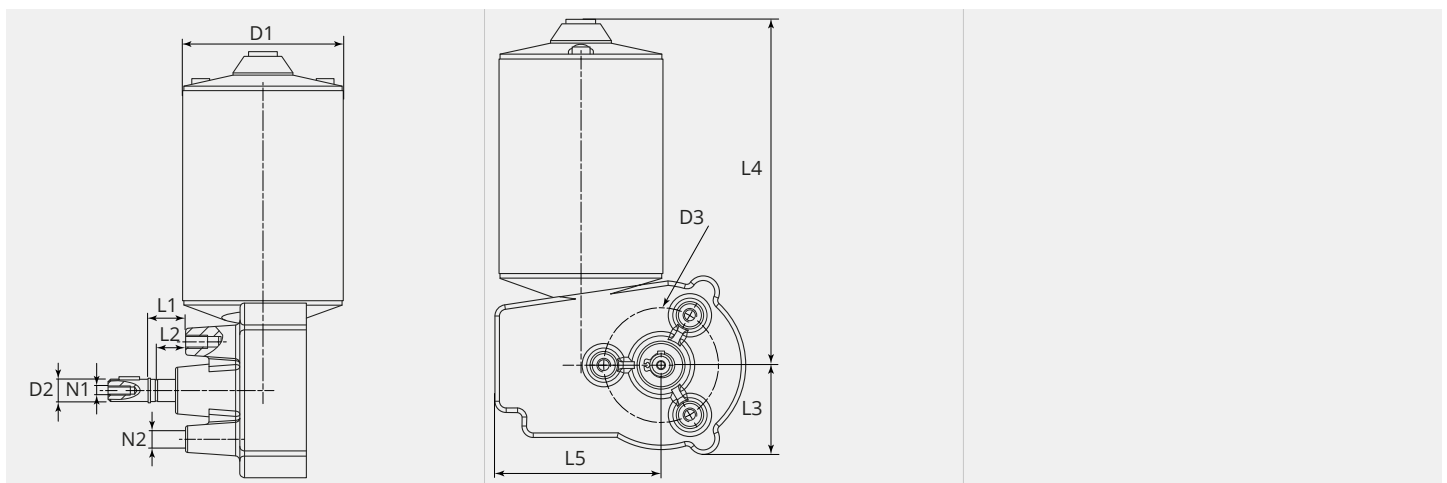
## PRODUCT DESCRIPTION

Left side

## TECHNICAL CHARACTERISTICS

Speed (rpm):	230
Operating voltage DC (V):	42
Current (A):	1.7
Power (W):	71.4
Additional:	-
Version:	Left
Wire speed 30mm feedroll (m/min.):	21.68
Wire speed 37mm feedroll (m/min.):	26.73
Wire speed 40mm feedroll (m/min.):	28.9
Active cooling:	no
Suitable:	ME8700, ME8900, ME9800, ME9900-2R, ME9900-4R, ME2500

## DIMENSIONAL DRAWING





**DIMENSIONAL DRAWING**

<b>L1 (mm):</b>	12.5
<b>L3 (mm):</b>	39.5
<b>L4 (mm):</b>	154.0
<b>L5 (mm):</b>	73.5
<b>D1 (Ø):</b>	73
<b>D2 (Ø):</b>	10-f6
<b>D3 (Ø):</b>	50.8
<b>N1:</b>	M4
<b>N2:</b>	M6