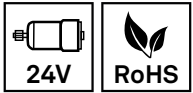


Motor 24VDC, 110rpm

Left side

Item number:	80026
Product weight (kg):	1.153 kg
Packing unit:	1



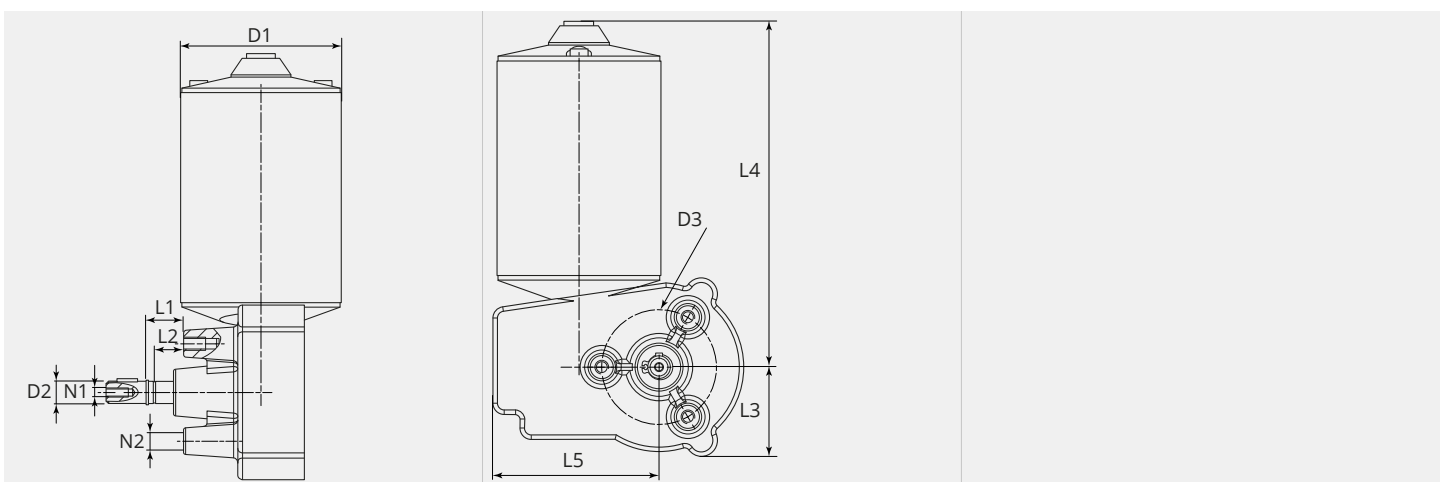
PRODUCT DESCRIPTION

Left side

TECHNICAL CHARACTERISTICS

Speed (rpm):	110
Operating voltage DC (V):	24
Additional:	-
Version:	Left
Wire speed 30mm feedroll (m/min.):	10.37
Wire speed 37mm feedroll (m/min.):	12.79
Wire speed 40mm feedroll (m/min.):	13.82
Active cooling:	no
Suitable:	ME8700, ME8900, ME9800, ME9900-2R, ME9900-4R, ME2500

DIMENSIONAL DRAWING



DIMENSIONAL DRAWING

L1 (mm):	15.5
L2 (mm):	12.5
L3 (mm):	45.0
L4 (mm):	125.0
L5 (mm):	75.0
D1 (Ø):	60
D2 (Ø):	10-f6
D3 (Ø):	50.8
N1:	M4
N2:	M6