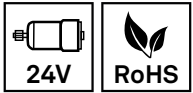


# Motor 24VDC, 200rpm, 96.0watt

Left side

Item number:	80024
Product weight (kg):	1.3 kg
Packing unit:	1



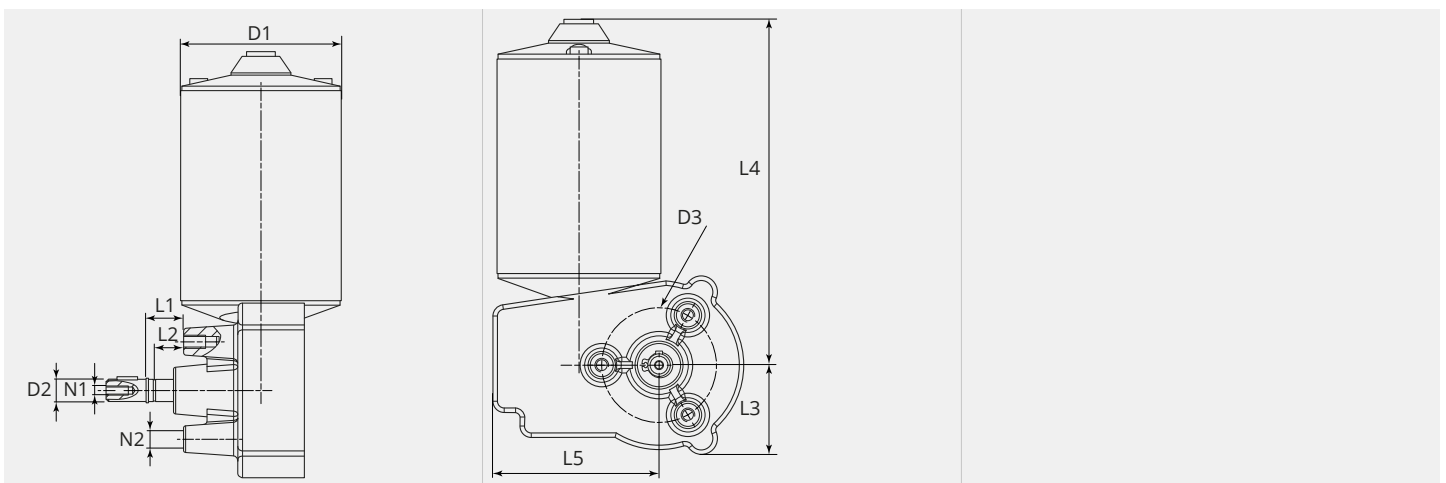
## PRODUCT DESCRIPTION

Left side

## TECHNICAL CHARACTERISTICS

Speed (rpm):	200
Operating voltage DC (V):	24
Current (A):	4.0
Power (W):	96
Additional:	-
Version:	Left
Wire speed 30mm feedroll (m/min.):	18.85
Wire speed 37mm feedroll (m/min.):	23.25
Wire speed 40mm feedroll (m/min.):	25.13
Active cooling:	no
Suitable:	ME8700, ME8900, ME9800, ME9900-2R, ME9900-4R, ME2500

## DIMENSIONAL DRAWING



**DIMENSIONAL DRAWING**

<b>L1 (mm):</b>	15.5
<b>L2 (mm):</b>	12.5
<b>L3 (mm):</b>	45.0
<b>L4 (mm):</b>	125.0
<b>L5 (mm):</b>	75.0
<b>D1 (Ø):</b>	60
<b>D2 (Ø):</b>	10-f6
<b>D3 (Ø):</b>	50.8
<b>N1:</b>	M4
<b>N2:</b>	M6