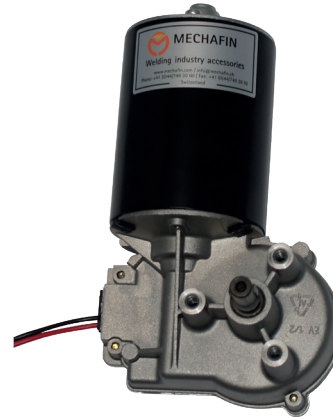


Motor 24VDC, 160rpm, 60.0watt

Left side

Item number:	80023
Product weight (kg):	1.588 kg
Packing unit:	1



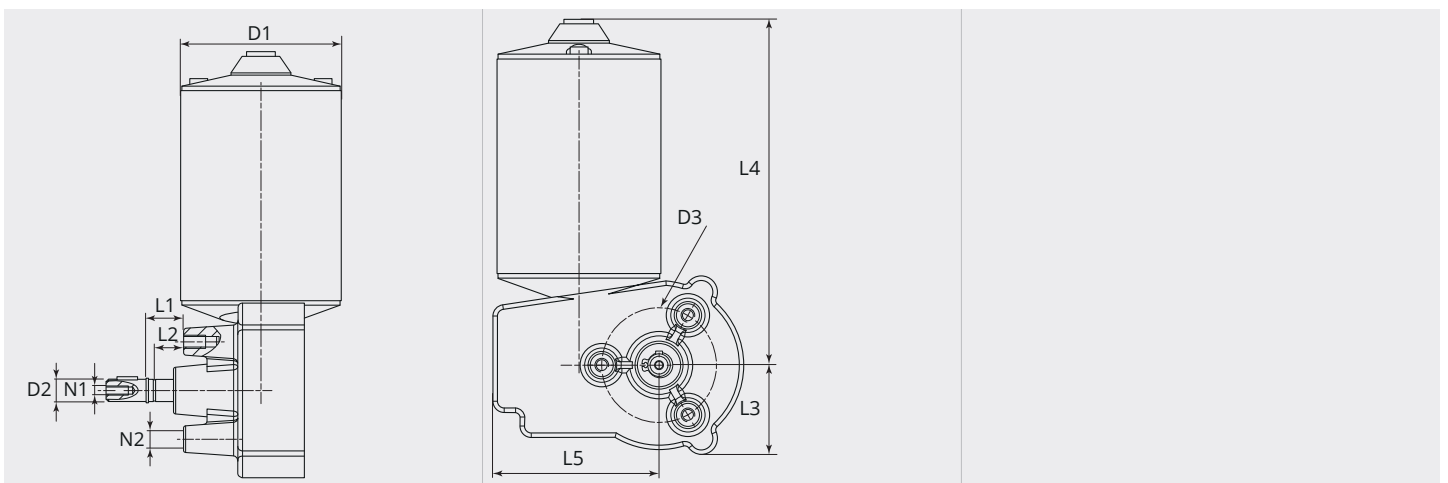
PRODUCT DESCRIPTION

Left side

TECHNICAL CHARACTERISTICS

Speed (rpm):	160
Operating voltage DC (V):	24
Current (A):	2.5
Power (W):	60
Additional:	-
Version:	Left
Wire speed 30mm feedroll (m/min.):	15.08
Wire speed 37mm feedroll (m/min.):	18.6
Wire speed 40mm feedroll (m/min.):	20.11
Active cooling:	no
Suitable:	ME8700, ME8900, ME9800, ME9900-2R, ME9900-4R, ME2500

DIMENSIONAL DRAWING



DIMENSIONAL DRAWING

L1 (mm):	12.5
L3 (mm):	39.5
L4 (mm):	154.0
L5 (mm):	73.5
D1 (Ø):	73
D2 (Ø):	10-f6
D3 (Ø):	50.8
N1:	M4
N2:	M6