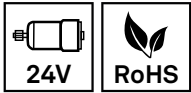


Motor 24VDC, 68rpm, 48.0watt

Left side

Item number:	80019
Product weight (kg):	1.54 kg
Packing unit:	1



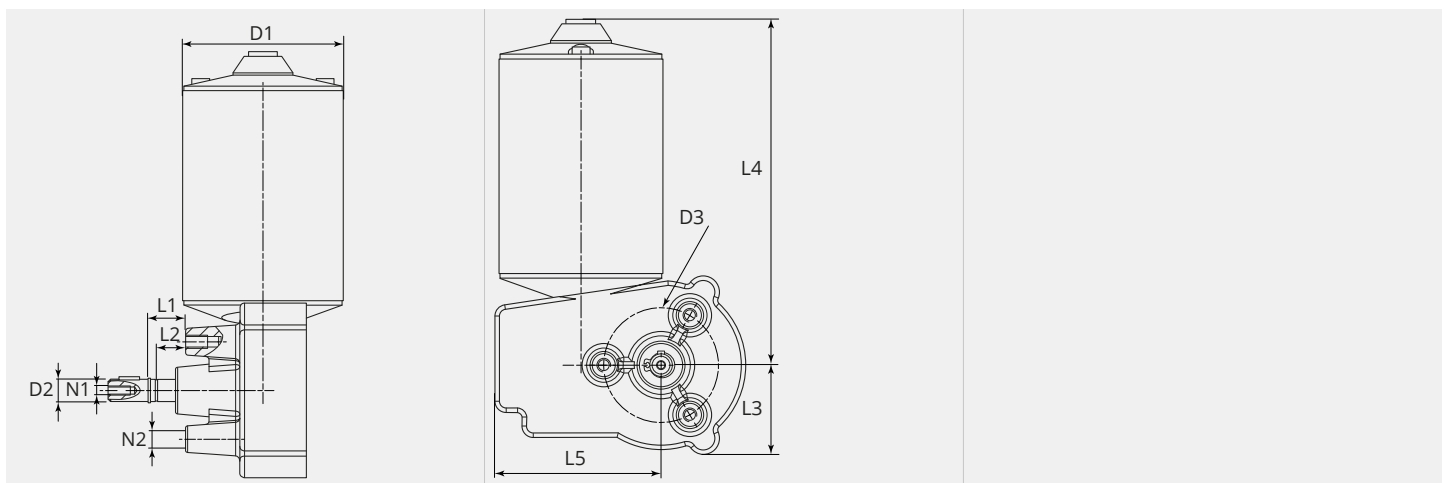
PRODUCT DESCRIPTION

Left side

TECHNICAL CHARACTERISTICS

Speed (rpm):	68
Operating voltage DC (V):	24
Current (A):	2.0
Power (W):	48
Additional:	-
Version:	Left
Wire speed 30mm feedroll (m/min.):	6.41
Wire speed 37mm feedroll (m/min.):	7.9
Wire speed 40mm feedroll (m/min.):	8.55
Active cooling:	no
Suitable:	ME8700, ME8900, ME9800, ME9900-2R, ME9900-4R, ME2500

DIMENSIONAL DRAWING





DIMENSIONAL DRAWING

L1 (mm):	12.5
L3 (mm):	39.5
L4 (mm):	153.0
L5 (mm):	73.5
D1 (Ø):	72.5
D2 (Ø):	10-h6
D3 (Ø):	50.8
N1:	M4
N2:	M6