

Motor 42VDC, 258rpm, 126.0watt

Left side with encoder 1x 100 pulse

Item number:	80012
Product weight (kg):	1.724 kg
Packing unit:	1

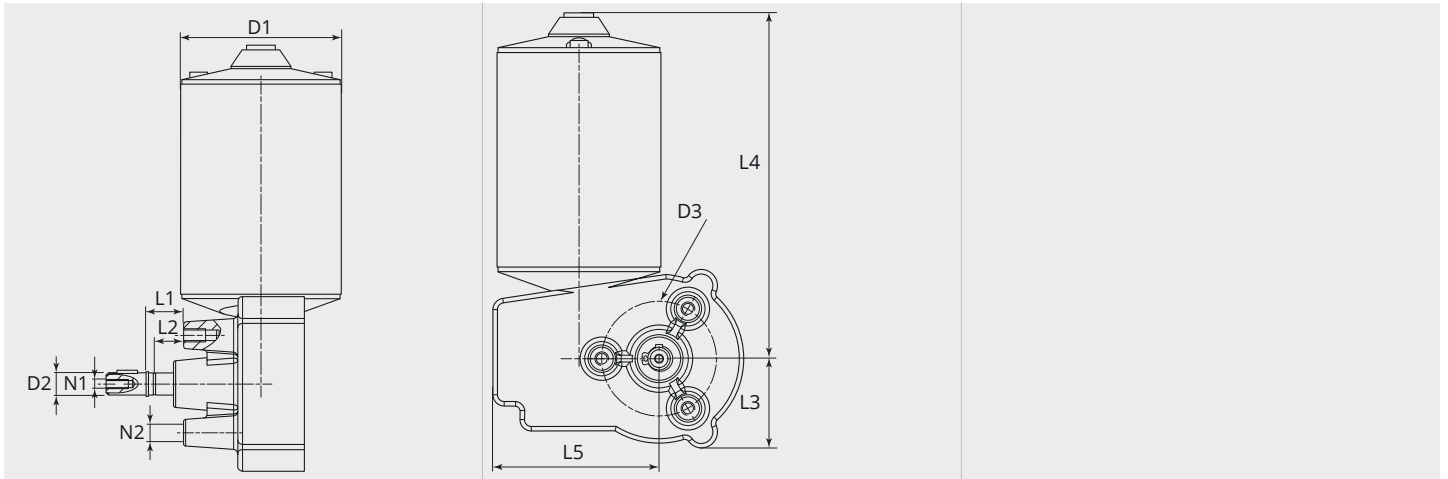


PRODUCT DESCRIPTION

Left side with encoder 1x 100 pulse

TECHNICAL CHARACTERISTICS

Speed (rpm):	258
Operating voltage DC (V):	42
Current (A):	3.0
Power (W):	126
Additional:	Encoder 1x 100 pulse
Operating voltage for encoder DC (V):	5
Version:	Left
Wire speed 30mm feedroll (m/min.):	24.32
Wire speed 37mm feedroll (m/min.):	29.99
Wire speed 40mm feedroll (m/min.):	32.42
Active cooling:	no
Suitable:	ME8900, ME9300, ME9500, ME9800, ME9900-4R, ME2000

DIMENSIONAL DRAWING

DIMENSIONAL DRAWING

L1 (mm):	17.0
L3 (mm):	39.5
L4 (mm):	170.0
L5 (mm):	73.5
D1 (Ø):	73
D2 (Ø):	10-f6
D3 (Ø):	50.8
N1:	M4
N2:	M6