



MECHAFIN

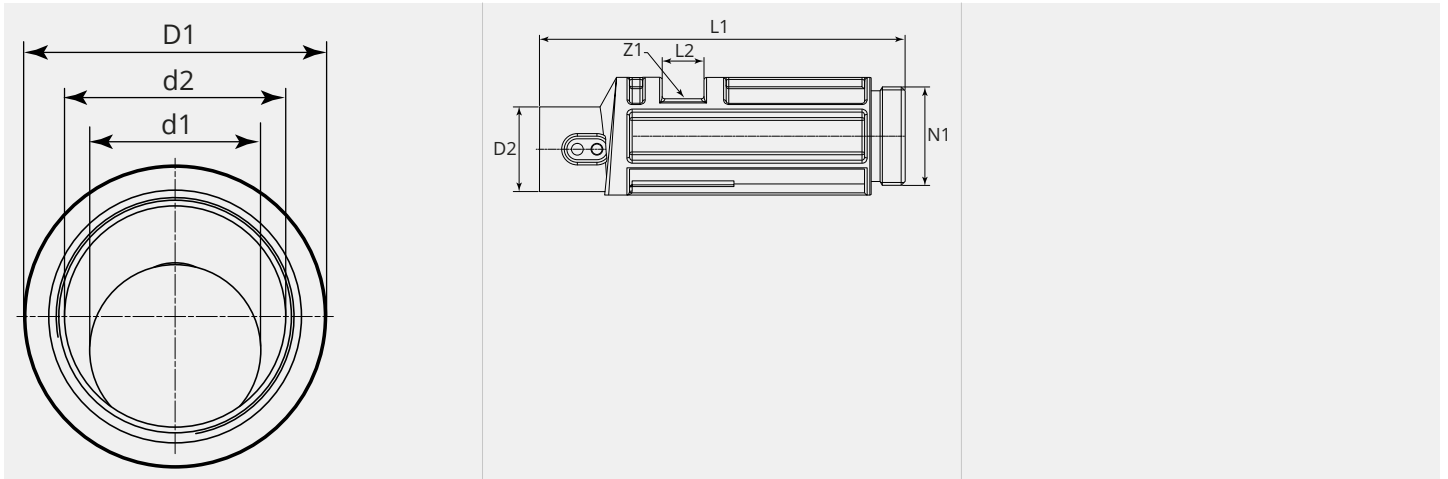
Adapter support with bayonet for TIG torches

Item number:	76055
Product weight (kg):	0.079 kg
Packing unit:	1



TECHNICAL CHARACTERISTICS

Material:	Plastic
-----------	---------

DIMENSIONAL DRAWING

DIMENSIONAL DRAWING

L1 (mm):	140.0
L2 (mm):	16.0
D1 (Ø):	45
D2 (Ø):	32.4
d1 (Ø):	25.5
d2 (Ø):	32.0
N1:	Bajonett
Z1:	open