

# Contact pin for lead

Applies for TIG adaptor

Item number:	76044
Product weight (kg):	0.001 kg
Packing unit:	1

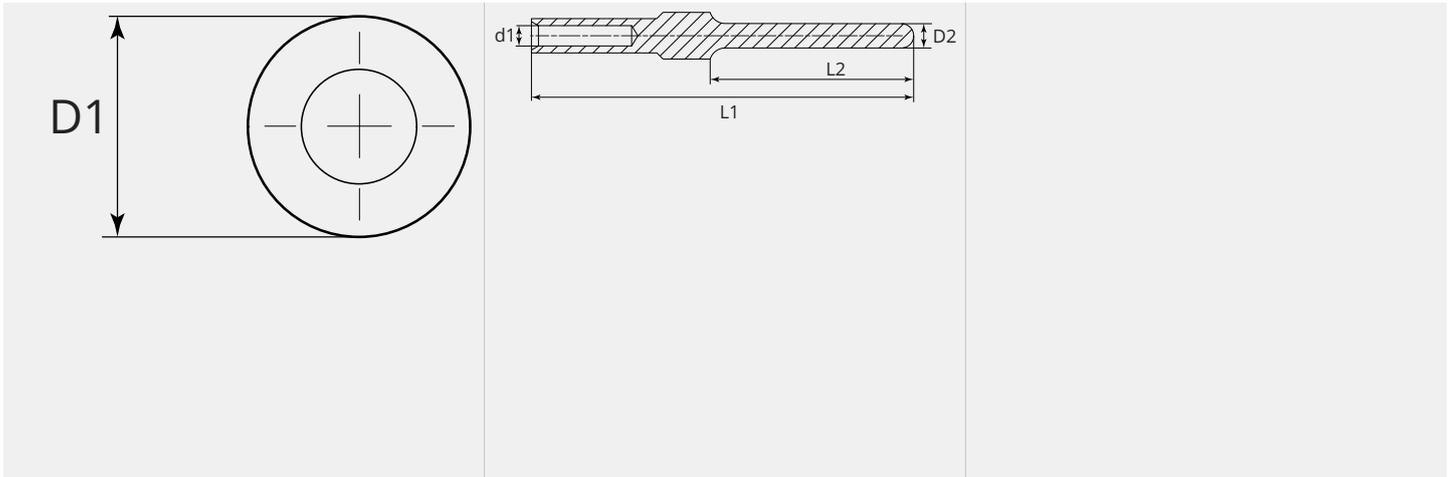


## PRODUCT DESCRIPTION

Applies for TIG adaptor

## TECHNICAL CHARACTERISTICS

Terminal side:	Welding torch
Material:	Brass

**DIMENSIONAL DRAWING**

**DIMENSIONAL DRAWING**

<b>L1 (mm):</b>	24.5
<b>L2 (mm):</b>	13.0
<b>D1 (Ø):</b>	3
<b>D2 (Ø):</b>	1.6
<b>d1 (Ø):</b>	1.3