

Contact bush and lead 548mm

Applies for TIG adaptor

Item number:	75052
Product weight (kg):	0.0062 kg
Packing unit:	1

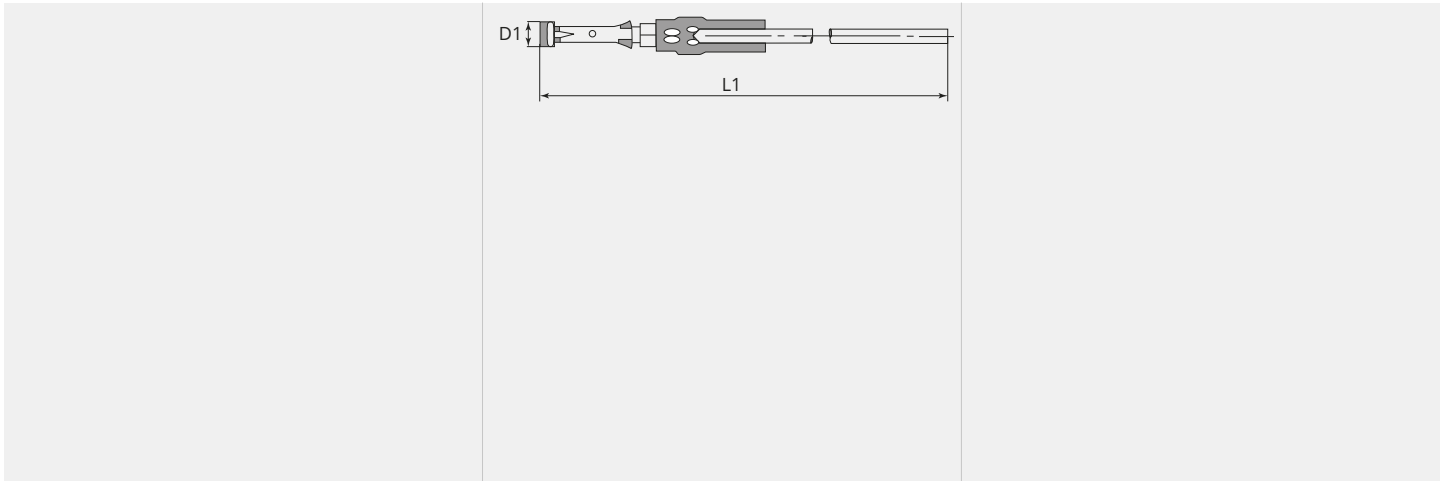


PRODUCT DESCRIPTION

Applies for TIG adaptor

TECHNICAL CHARACTERISTICS

Terminal side:	Machine
Surface:	Tin plated

DIMENSIONAL DRAWING**DIMENSIONAL DRAWING**

L1 (mm):	548.0
D1 (Ø):	2.8