



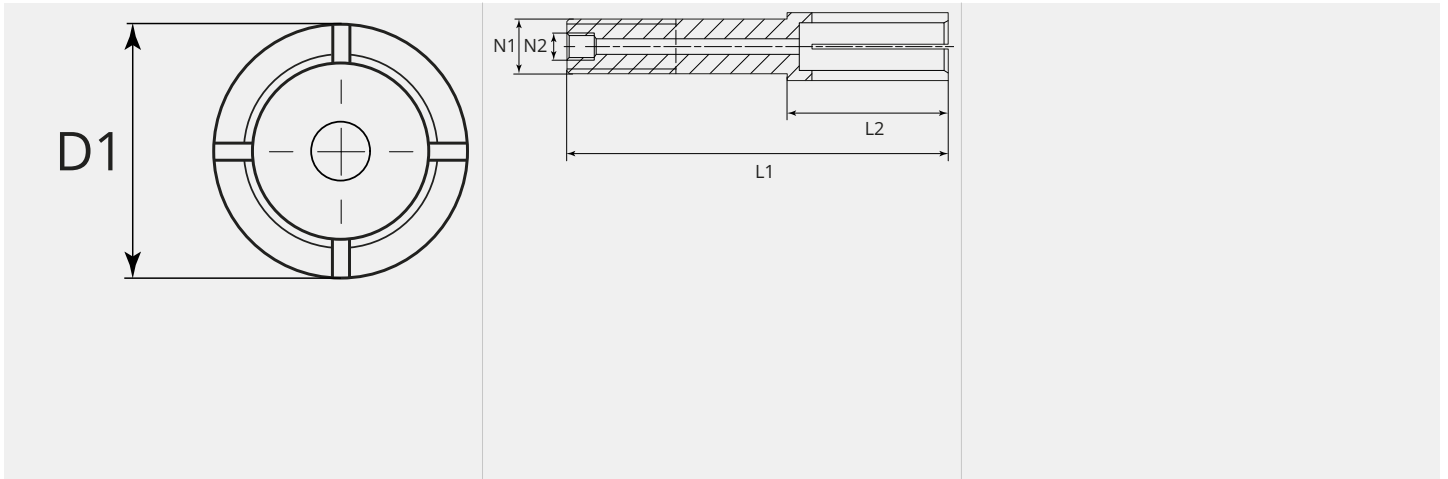
Power connector TIG

Item number:	75044
Product weight (kg):	0.069 kg
Packing unit:	1



TECHNICAL CHARACTERISTICS

Terminal side:	Machine
Material:	Copper

DIMENSIONAL DRAWING

DIMENSIONAL DRAWING

L1 (mm):	84.0
L2 (mm):	38.0
D1 (Ø):	15
N1:	M12x1
N2:	M6