



Fixing nut

Applies for TIG Adaptor body

Item number:	75042
Product weight (kg):	0.012 kg
Packing unit:	1

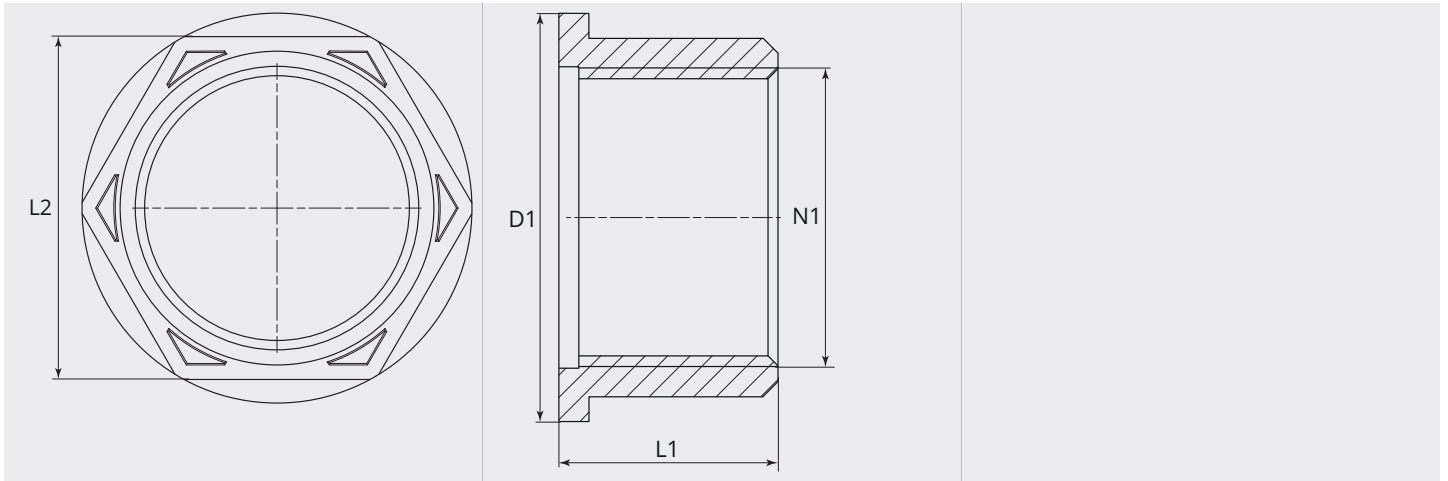


PRODUCT DESCRIPTION

Applies for TIG Adaptor body

TECHNICAL CHARACTERISTICS

Terminal side:	Machine
Material:	Plastic

DIMENSIONAL DRAWING

DIMENSIONAL DRAWING

L1 (mm):	22.0
L2 (mm):	SW36
D1 (Ø):	41
N1:	M30x2