

# TIG adaptor body

Machine side

Item number:	75040
Product weight (kg):	0.03 kg
Packing unit:	1

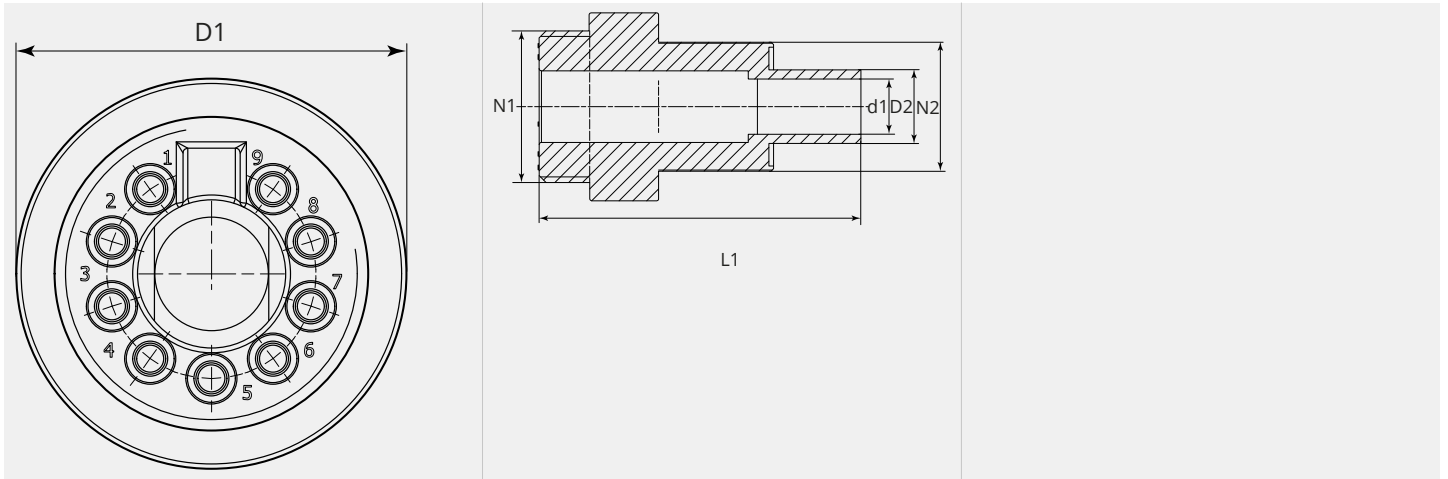


## PRODUCT DESCRIPTION

Machine side

### TECHNICAL CHARACTERISTICS

Cooling:	without
Terminal side:	Machine
Material:	Plastic

**DIMENSIONAL DRAWING**

**DIMENSIONAL DRAWING**

<b>L1 (mm):</b>	70.0
<b>D1 (Ø):</b>	41
<b>D2 (Ø):</b>	16.0
<b>d1 (Ø):</b>	12.0
<b>N1:</b>	M33x2
<b>N2:</b>	M30x2