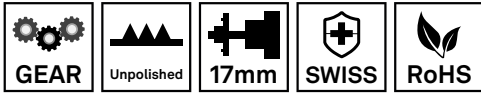


Main Gear Drive black-finish

Applies for series: ME8900, ME9900-4R

Item number:	74789
Product weight (kg):	0.07 kg
Packing unit:	1

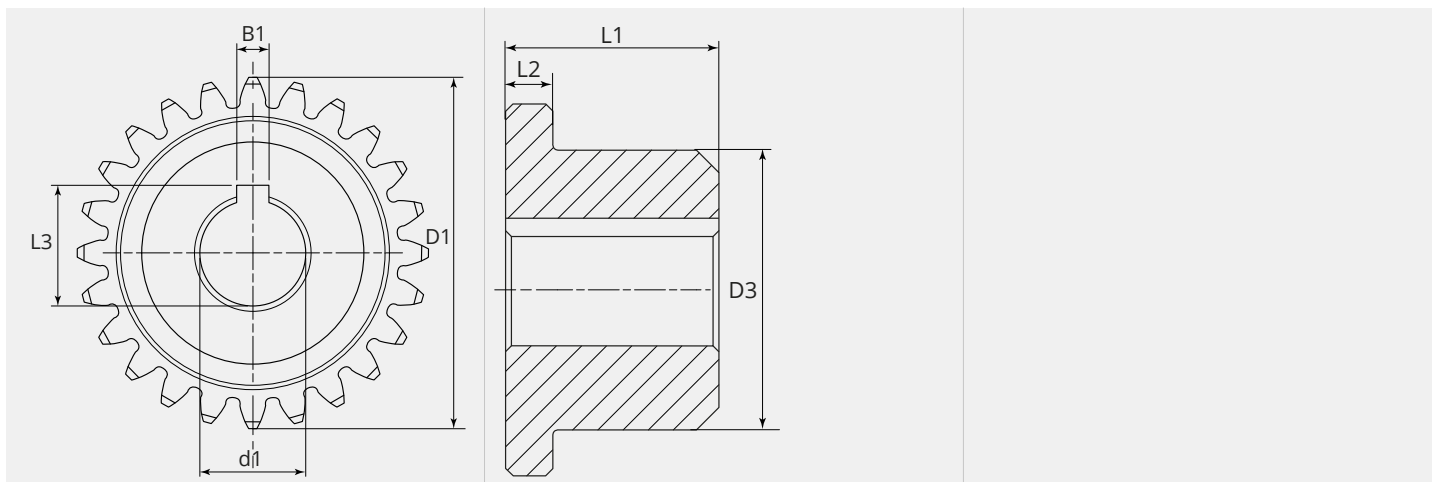


PRODUCT DESCRIPTION

Applies for series: ME8900, ME9900-4R

TECHNICAL CHARACTERISTICS

Type of setting:	Motor shaft
Material:	Hardened steel
Surface:	Black-finish
Isolated:	no
Feed Roll support:	Unpolished
Motor/gear distance (mm):	17
Driving pin type:	W/O
Motor positions:	in the centre

DIMENSIONAL DRAWING

DIMENSIONAL DRAWING

L1 (mm):	19.00
L2 (mm):	4.20
L3 (mm):	11.40
B1 (mm):	3.00
D1 (Ø):	33.2
D3 (Ø):	25.00
d1 (Ø):	10.00