

Pressure roll 30mm flat for pressure arm

Suitable for series: ME8700, ME8900, ME9800, ME9900 in conjunction with gear adaptor

Item number:	74775
Product weight (kg):	0.05 kg
Packing unit:	1

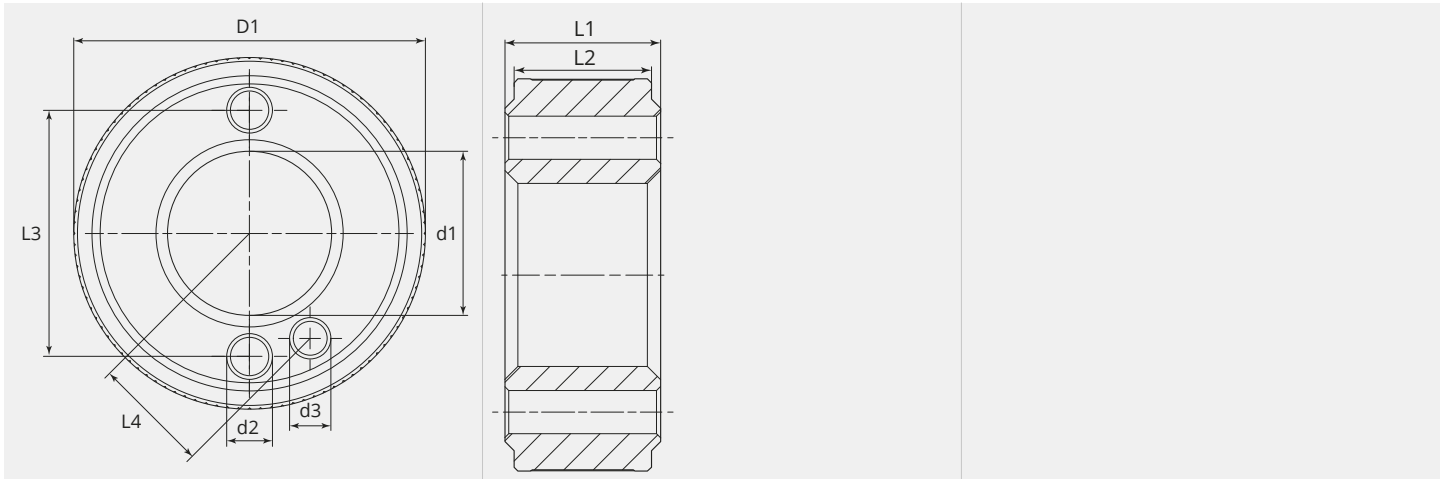


PRODUCT DESCRIPTION

Suitable for series: ME8700, ME8900, ME9800, ME9900 in conjunction with gear adaptor

TECHNICAL CHARACTERISTICS

Characteristics of the groove:	without groove
Material:	Hardened steel
Surface:	Black-finish
Arrangement Rolls:	Top

DIMENSIONAL DRAWING

DIMENSIONAL DRAWING

L1 (mm):	11.90
L2 (mm):	10.50
L3 (mm):	21.00
L4 (mm):	10.35
D1 (Ø):	30
d1 (Ø):	14.00
d2 (Ø):	3.30
d3 (Ø):	2.90