

Feed Roll 30mm 2.8/3.2 for cored wire

Suitable for series: ME8700, ME8900, ME9800, ME9900

Item number:	74191
Product weight (kg):	0.05 kg
Packing unit:	1

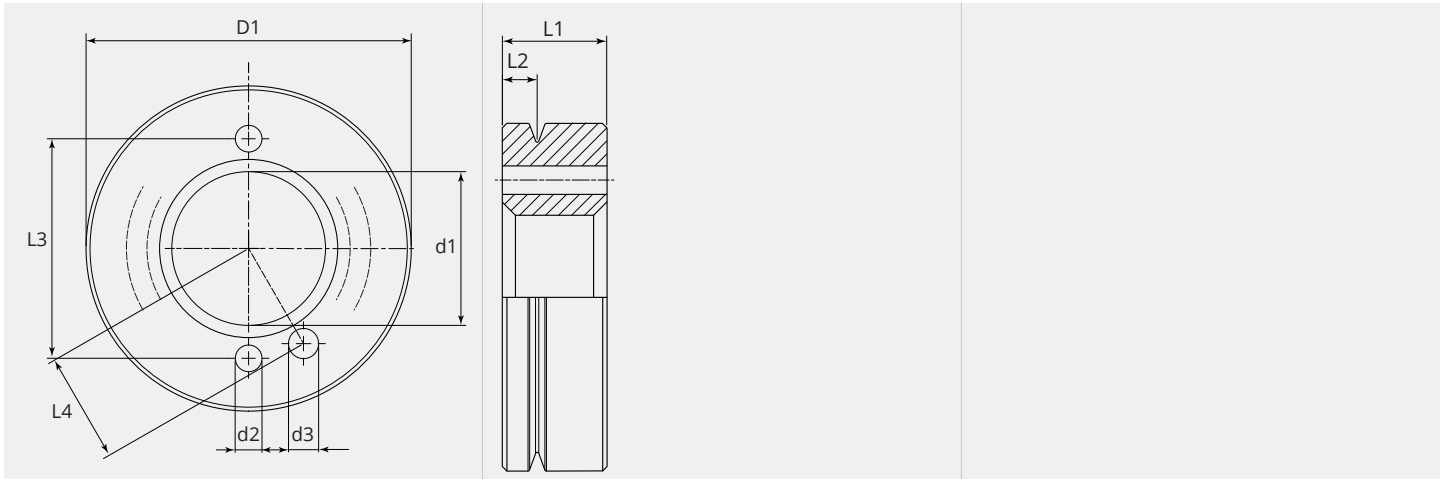


PRODUCT DESCRIPTION

Suitable for series: ME8700, ME8900, ME9800, ME9900

TECHNICAL CHARACTERISTICS

Wire (mm):	2.8/3.2
Welding wire:	Cored wire
Groove shape:	V
Characteristics of the groove:	knurled
Type of setting:	standard
Material:	Hardened steel
Surface:	Black-finish
Arrangement Rolls:	Bottom

DIMENSIONAL DRAWING

DIMENSIONAL DRAWING

L1 (mm):	12.00
L2 (mm):	4.00
L3 (mm):	21.00
L4 (mm):	10.35
D1 (Ø):	30
d1 (Ø):	14.00
d2 (Ø):	3.30
d3 (Ø):	2.90

From 300 pieces we produce your personal feed roll with logo. On request feed rolls are also available in stainless steel.