

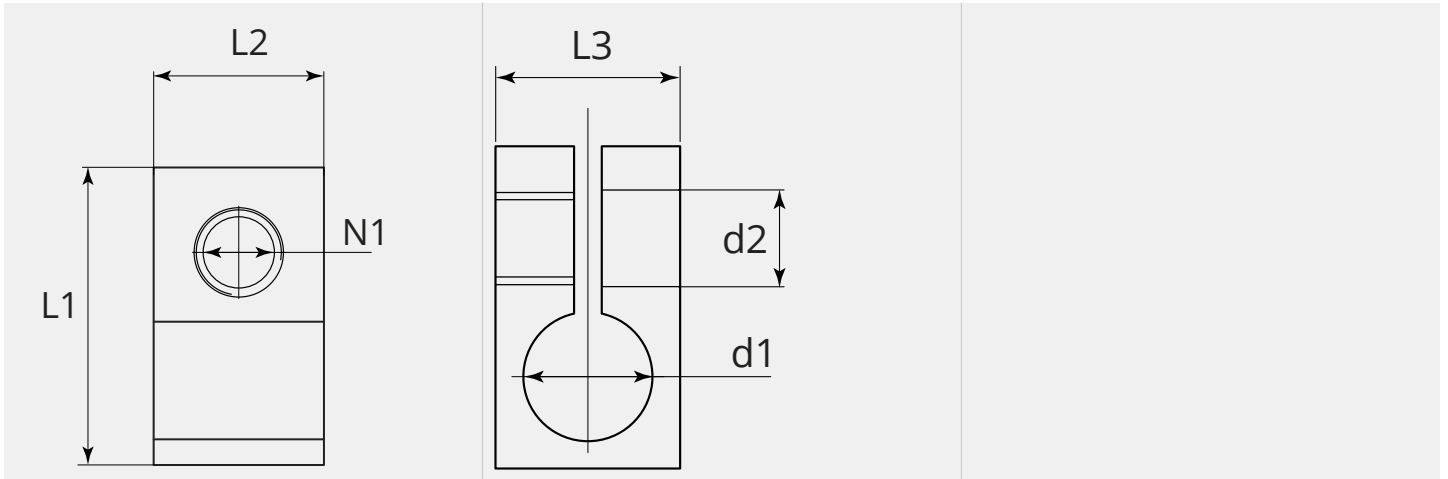
# Power clamp for central adaptor

Item number:	70320
Product weight (kg):	0.072 kg
Packing unit:	1



## TECHNICAL CHARACTERISTICS

Terminal side:	Machine
Material:	Brass

**DIMENSIONAL DRAWING**

**DIMENSIONAL DRAWING**

L1 (mm):	35.0
L2 (mm):	20.0
L3 (mm):	20.0
d1 (Ø):	14.0
d2 (Ø):	10.5
N1:	M10