

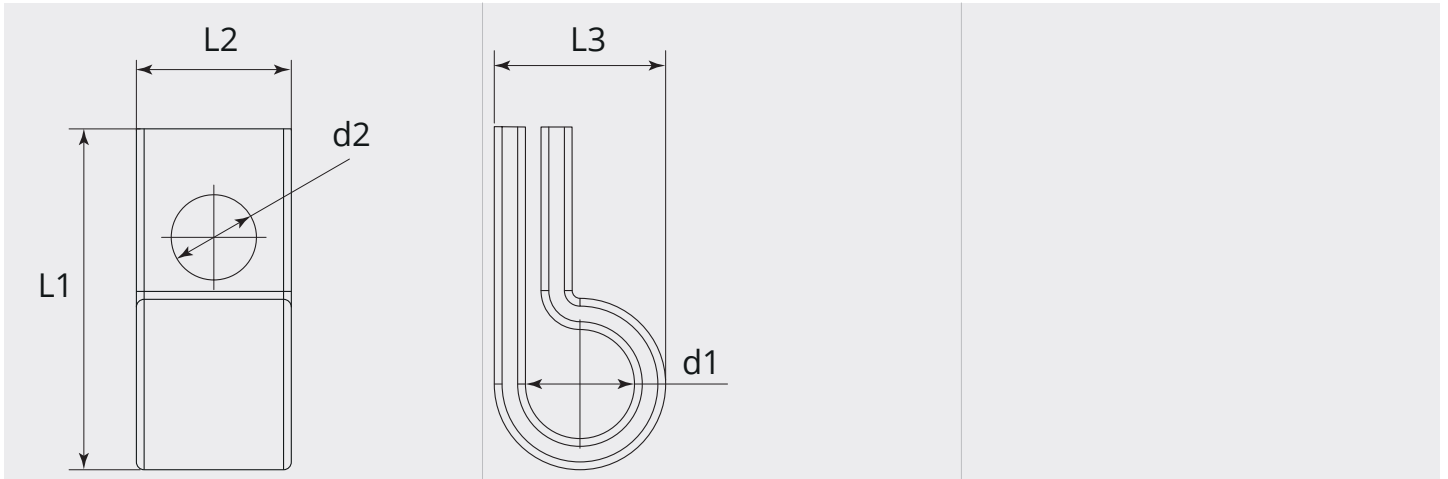
Power clamp for central adaptor

Item number:	70301
Product weight (kg):	0.056 kg
Packing unit:	1



TECHNICAL CHARACTERISTICS

Terminal side:	Machine
Material:	Copper

DIMENSIONAL DRAWING

DIMENSIONAL DRAWING

L1 (mm):	44.0
L2 (mm):	20.0
L3 (mm):	22.0
d1 (Ø):	14.0
d2 (Ø):	11.0