

Connection Tube with locknut and clamp ring L=88.5mm M12x1

Applies for central adaptor machine side

Item number:	70170
Product weight (kg):	0.1084 kg
Packing unit:	1

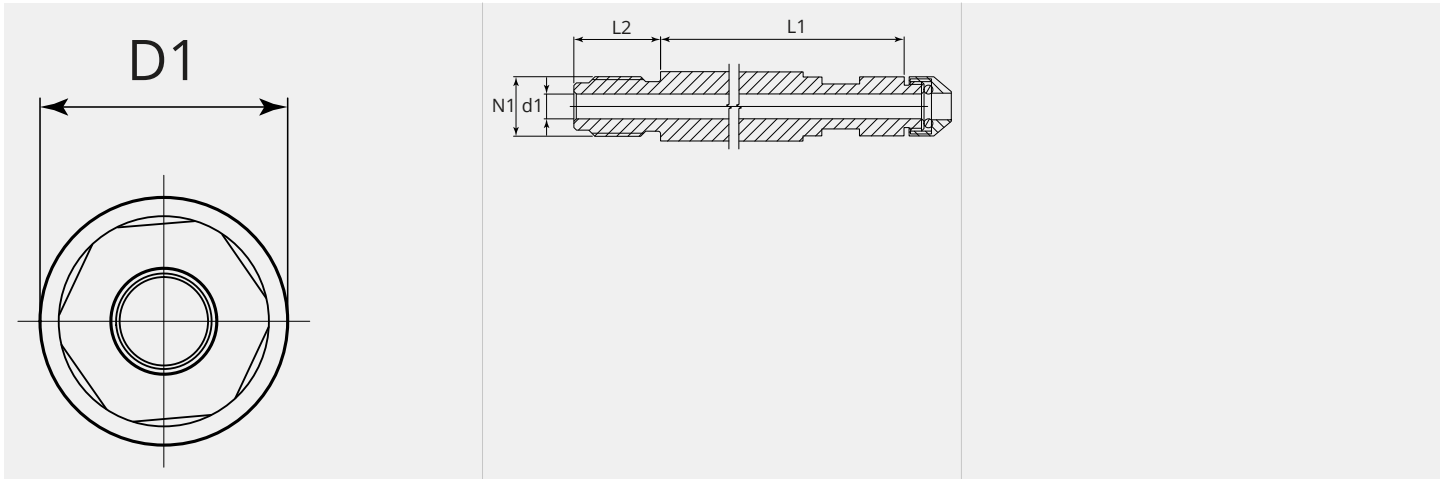


PRODUCT DESCRIPTION

Applies for central adaptor machine side

TECHNICAL CHARACTERISTICS

Version:	Round
Terminal side:	Machine
Material:	Brass

DIMENSIONAL DRAWING

DIMENSIONAL DRAWING

L1 (mm):	88.0
L2 (mm):	17.5
D1 (Ø):	14
d1 (Ø):	5.0
N1:	M12x1