

# Connection Tube with locknut and clamp ring L=61.0mm M12x1

Applies for central adaptor machine side

Item number:	70035
Product weight (kg):	0.078 kg
Packing unit:	1

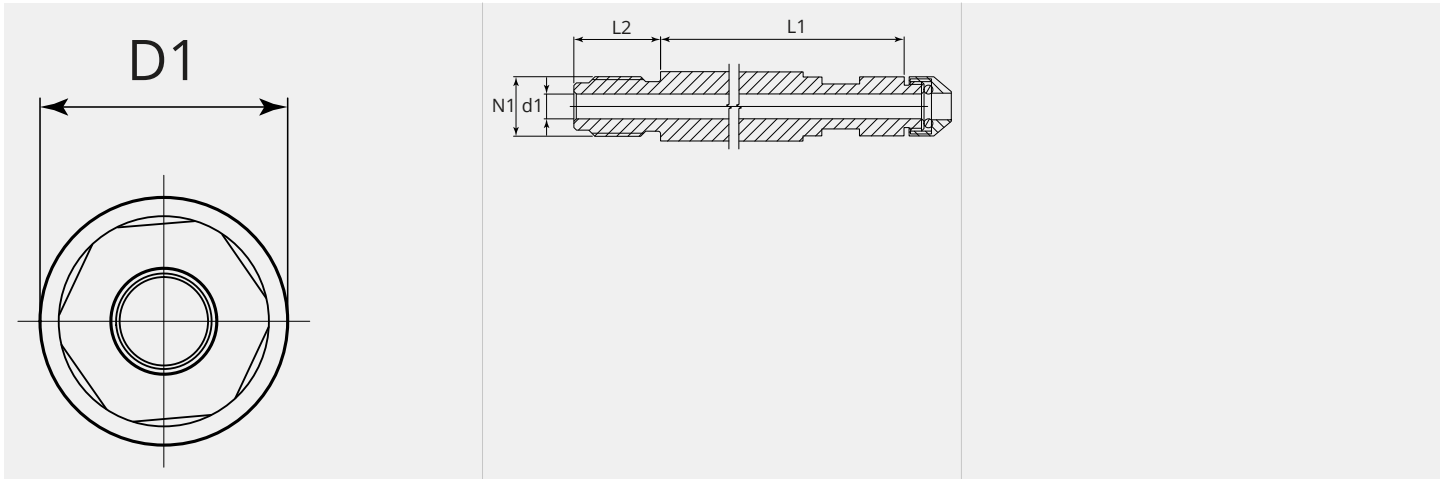


## PRODUCT DESCRIPTION

Applies for central adaptor machine side

## TECHNICAL CHARACTERISTICS

Version:	Round
Terminal side:	Machine
Material:	Brass

**DIMENSIONAL DRAWING**

**DIMENSIONAL DRAWING**

<b>L1 (mm):</b>	61.0
<b>L2 (mm):</b>	17.5
<b>D1 (Ø):</b>	14
<b>d1 (Ø):</b>	5.0
<b>N1:</b>	M12x1