

# Plastic housing for central adapter machine side length 53mm

Applies for euro central adaptor

Item number:	70000
Product weight (kg):	0.35 kg
Packing unit:	1

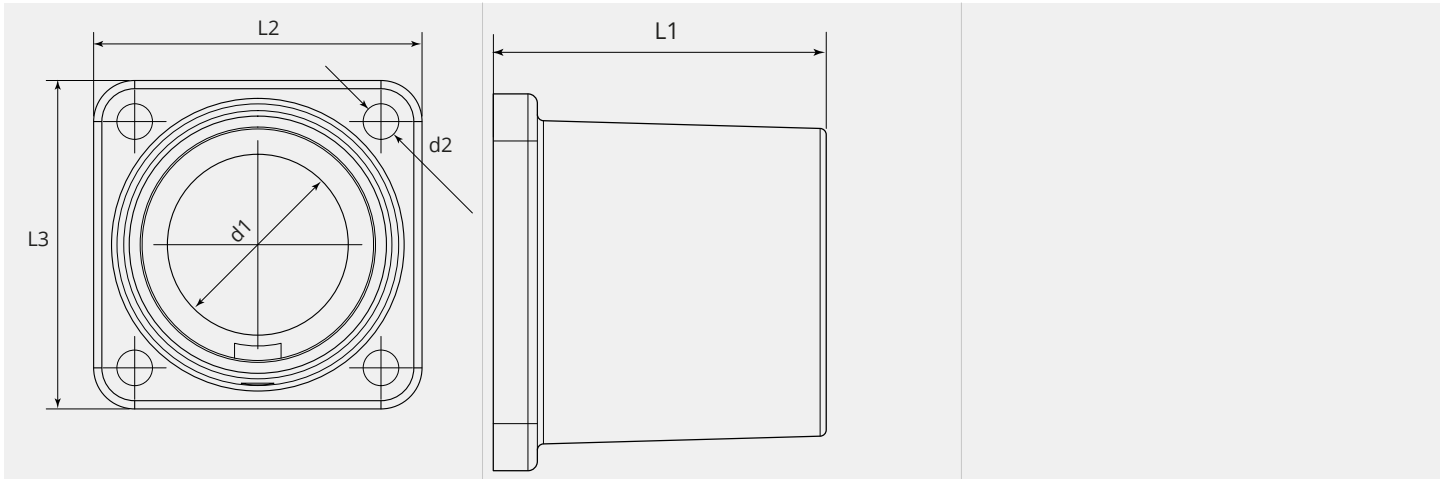


## PRODUCT DESCRIPTION

Applies for euro central adaptor

## TECHNICAL CHARACTERISTICS

Terminal side:	Machine
Hose package Connection:	Euro
Material:	Plastic

**DIMENSIONAL DRAWING**

**DIMENSIONAL DRAWING**

<b>L1 (mm):</b>	53.0
<b>L2 (mm):</b>	60.0
<b>L3 (mm):</b>	60.0
<b>d1 (Ø):</b>	33.0
<b>d2 (Ø):</b>	6.5