

4R-Wire Drive System compl. MEFRC 2044-37 T.B.G.

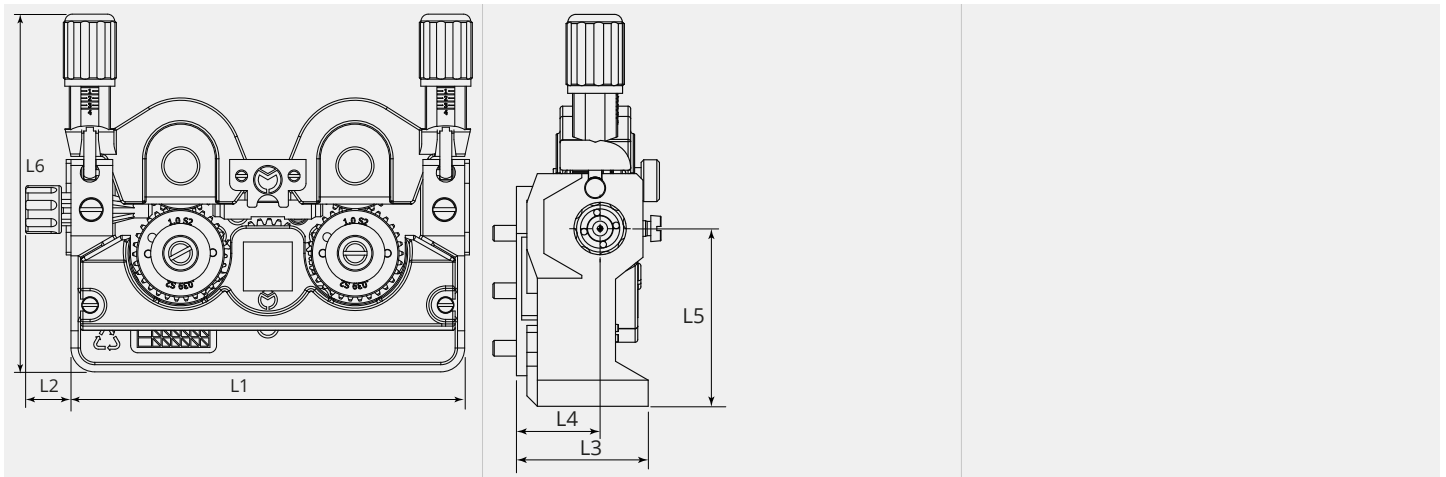
Item number:	69700
Product weight (kg):	1.433 kg
Packing unit:	1



TECHNICAL CHARACTERISTICS

Wire feedroll:	37
Quantity rolls:	4
Driven rolls:	4
Arrangement Rolls:	Top and bottom
Frame Material:	Aluminium
Pressurearm:	Aluminium
Motor positions:	12

DIMENSIONAL DRAWING



DIMENSIONAL DRAWING

L1 (mm):	165.0
L2 (mm):	19.0
L3 (mm):	50.4
L4 (mm):	32.0
L5 (mm):	68.0
L6 (mm):	149.9