

# 4R-Wire Drive System compl. MEFRC2042-37

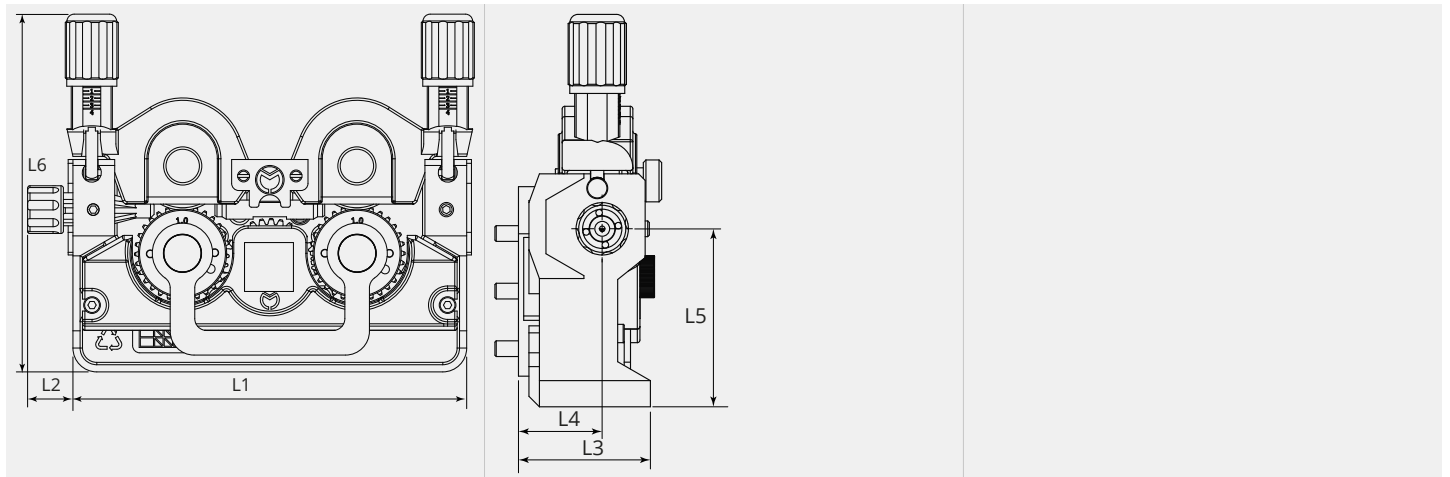
Item number:	69600
Product weight (kg):	1.319 kg
Packing unit:	1



## TECHNICAL CHARACTERISTICS

Wire feedroll:	37
Quantity rolls:	4
Driven rolls:	2
Arrangement Rolls:	Bottom
Frame Material:	Aluminium
Pressurearm:	Aluminium
Motor positions:	12

## DIMENSIONAL DRAWING





**DIMENSIONAL DRAWING**

<b>L1 (mm):</b>	165.0
<b>L2 (mm):</b>	19.0
<b>L3 (mm):</b>	50.4
<b>L4 (mm):</b>	32.0
<b>L5 (mm):</b>	68.0
<b>L6 (mm):</b>	149.9