

4R-Wire Drive System compl. MEFR9942-30

with glass fiber reinforced plastics

Item number:	69450
Product weight (kg):	0.855 kg
Packing unit:	1



PRODUCT DESCRIPTION

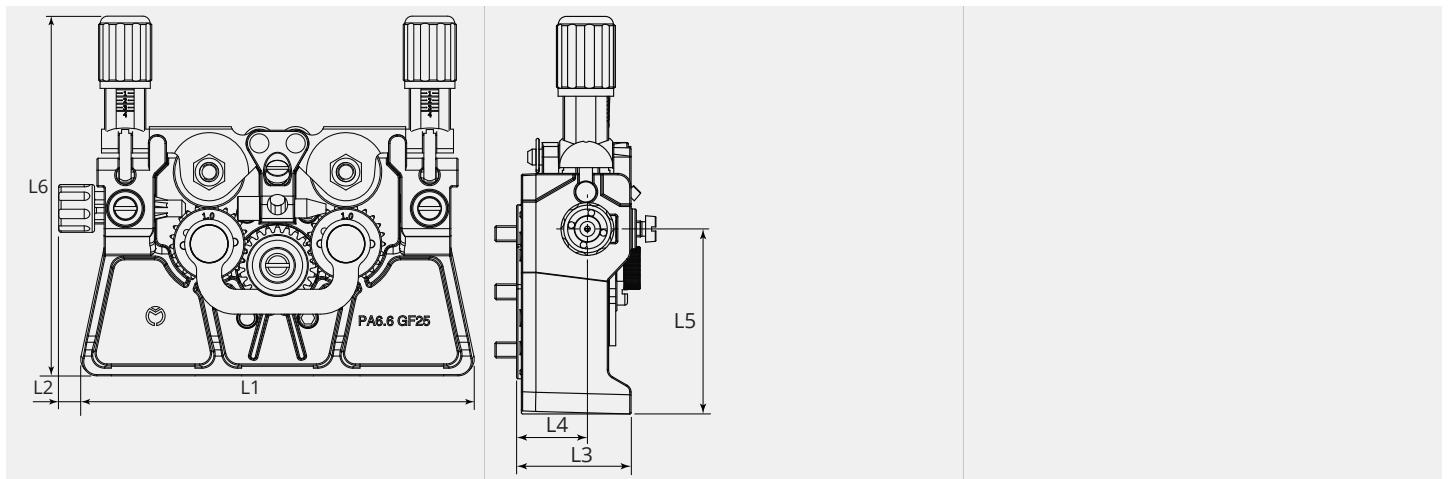
with glass fiber reinforced plastics



TECHNICAL CHARACTERISTICS

Wire feedroll:	30
Quantity rolls:	4
Driven rolls:	2
Arrangement Rolls:	Bottom
Frame Material:	Glass fiber reinforced plastics
Pressurearm:	Zinc die casting
Motor positions:	9

DIMENSIONAL DRAWING





DIMENSIONAL DRAWING

L1 (mm):	164.6
L2 (mm):	19.0
L3 (mm):	43.3
L4 (mm):	26.8
L5 (mm):	70.0
L6 (mm):	150.4