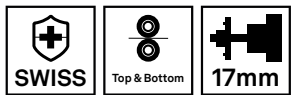


4R-Wire Drive System compl. MEFR9944-30 T.B.G.

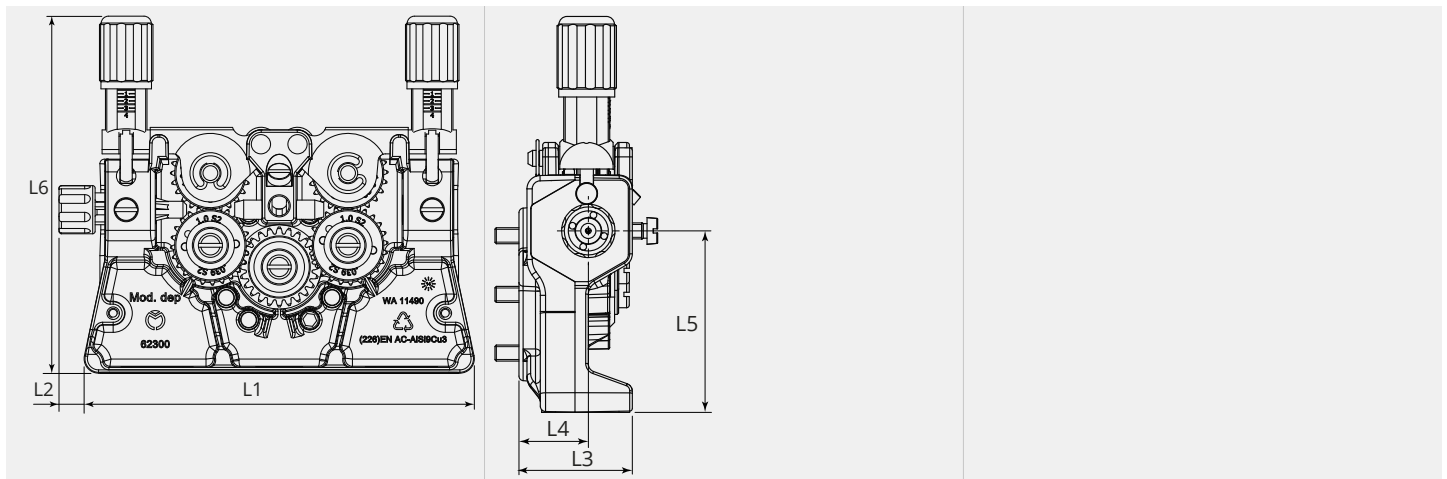
Item number:	69250
Product weight (kg):	1.05 kg
Packing unit:	1



TECHNICAL CHARACTERISTICS

Wire feedroll:	30
Quantity rolls:	4
Driven rolls:	4
Arrangement Rolls:	Top and bottom
Frame Material:	Aluminium
Pressurearm:	Zinc die casting
Motor positions:	9

DIMENSIONAL DRAWING



DIMENSIONAL DRAWING

L1 (mm):	162.1
L2 (mm):	19.0
L3 (mm):	42.5
L4 (mm):	26.0
L5 (mm):	68.0
L6 (mm):	148.4