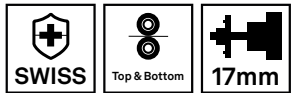


# 4R-Wire Drive System compl. MEFR9944-30 T.B.G.

with glass fiber reinforced plastics

Item number:	69210
Packing unit:	1



## PRODUCT DESCRIPTION

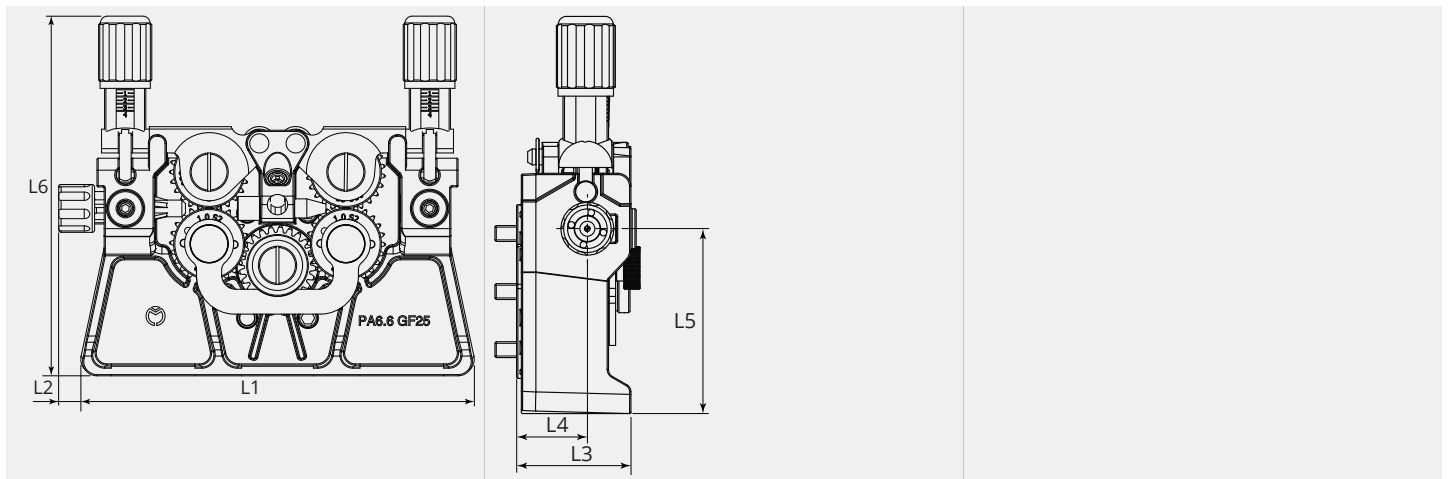
with glass fiber reinforced plastics



## TECHNICAL CHARACTERISTICS

Wire feedroll:	30
Quantity rolls:	4
Driven rolls:	4
Arrangement Rolls:	Top and bottom
Frame Material:	Glass fiber reinforced plastics
Pressurearm:	Zinc die casting
Motor positions:	9

## DIMENSIONAL DRAWING





**DIMENSIONAL DRAWING**

<b>L1 (mm):</b>	164.6
<b>L2 (mm):</b>	9.2
<b>L3 (mm):</b>	43.3
<b>L4 (mm):</b>	26.8
<b>L5 (mm):</b>	70.0
<b>L6 (mm):</b>	150.4