

4R-Wire Drive System compl. MEFR9944-30

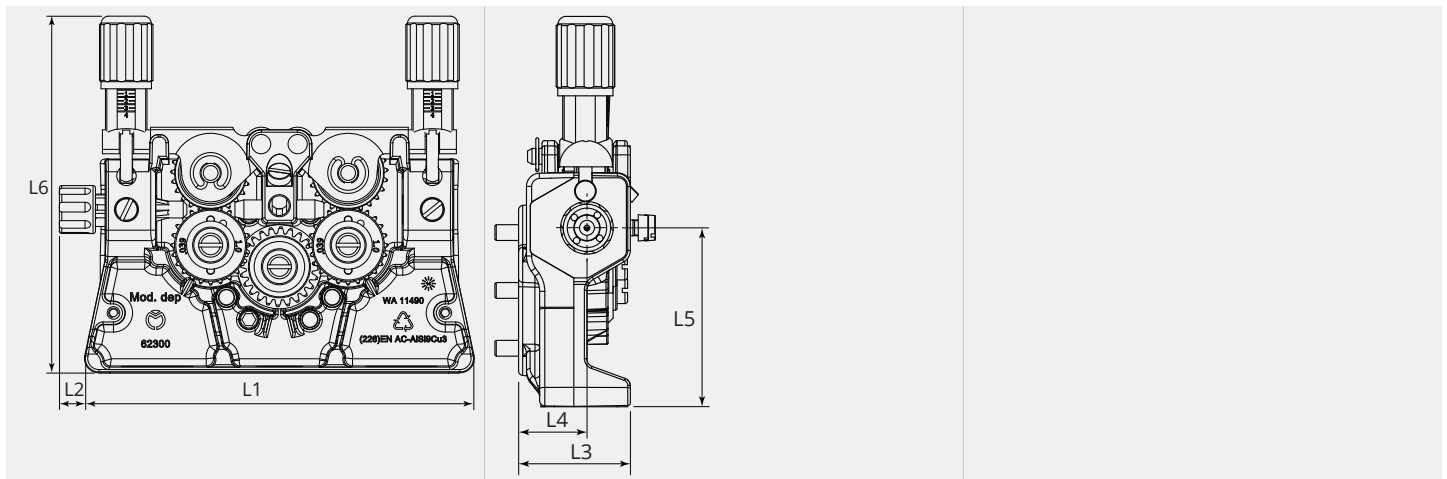
| | |
|----------------------|----------|
| Item number: | 69200 |
| Product weight (kg): | 1.043 kg |
| Packing unit: | 1 |



TECHNICAL CHARACTERISTICS

| | |
|--------------------|------------------|
| Wire feedroll: | 30 |
| Quantity rolls: | 4 |
| Driven rolls: | 4 |
| Arrangement Rolls: | Bottom |
| Frame Material: | Aluminium |
| Pressurearm: | Zinc die casting |
| Motor positions: | 9 |

DIMENSIONAL DRAWING



DIMENSIONAL DRAWING

| | |
|-----------------|-------|
| L1 (mm): | 162.1 |
| L2 (mm): | 10.4 |
| L3 (mm): | 42.5 |
| L4 (mm): | 26.0 |
| L5 (mm): | 68.0 |
| L6 (mm): | 148.4 |