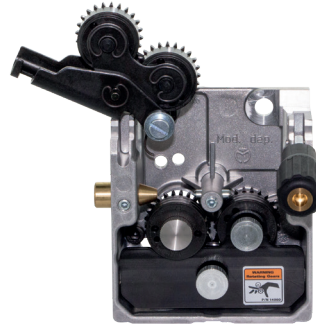
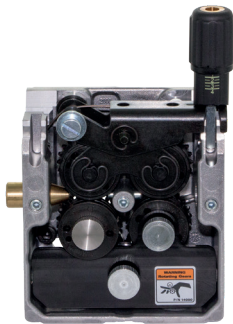


# 4R-Wire Drive System right ME9844-30

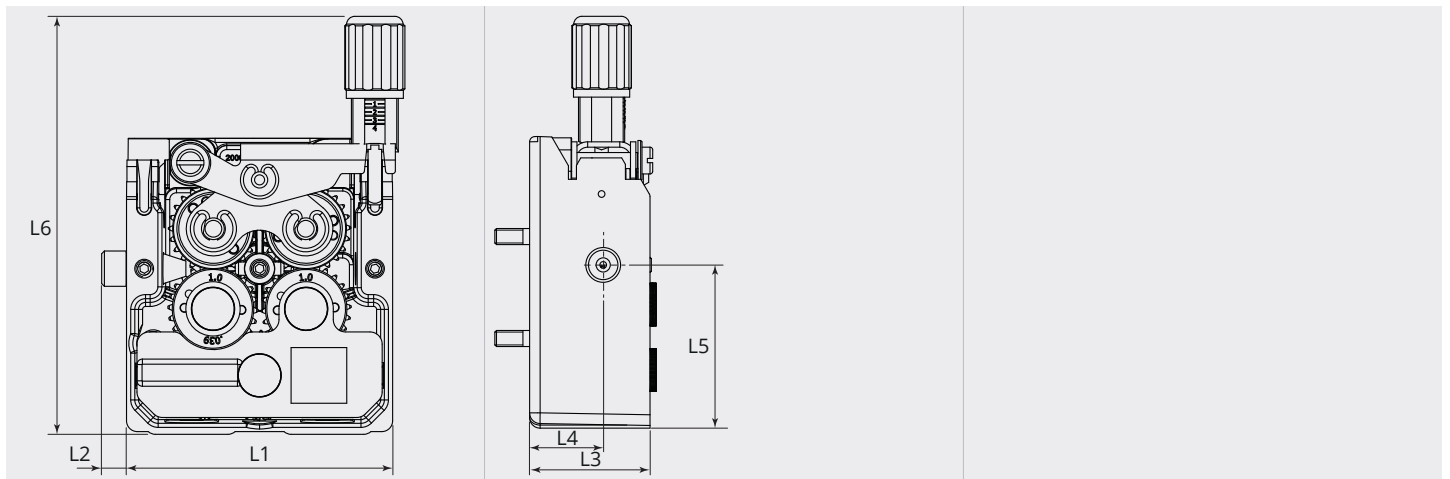
Item number: 66999  
Product weight (kg): 0.944 kg  
Packing unit: 1



## TECHNICAL CHARACTERISTICS

Wire feedroll:	30
Quantity rolls:	4
Driven rolls:	4
Arrangement Rolls:	Bottom
Frame Material:	Aluminium
Pressurearm:	Steel
Motor positions:	6

## DIMENSIONAL DRAWING





**DIMENSIONAL DRAWING**

<b>L1 (mm):</b>	98.0
<b>L2 (mm):</b>	9.1
<b>L3 (mm):</b>	45.0
<b>L4 (mm):</b>	27.5
<b>L5 (mm):</b>	61.0
<b>L6 (mm):</b>	153.9