

4R-Wire Drive System right ME9844-30 T.B.G.

Item number: 66980

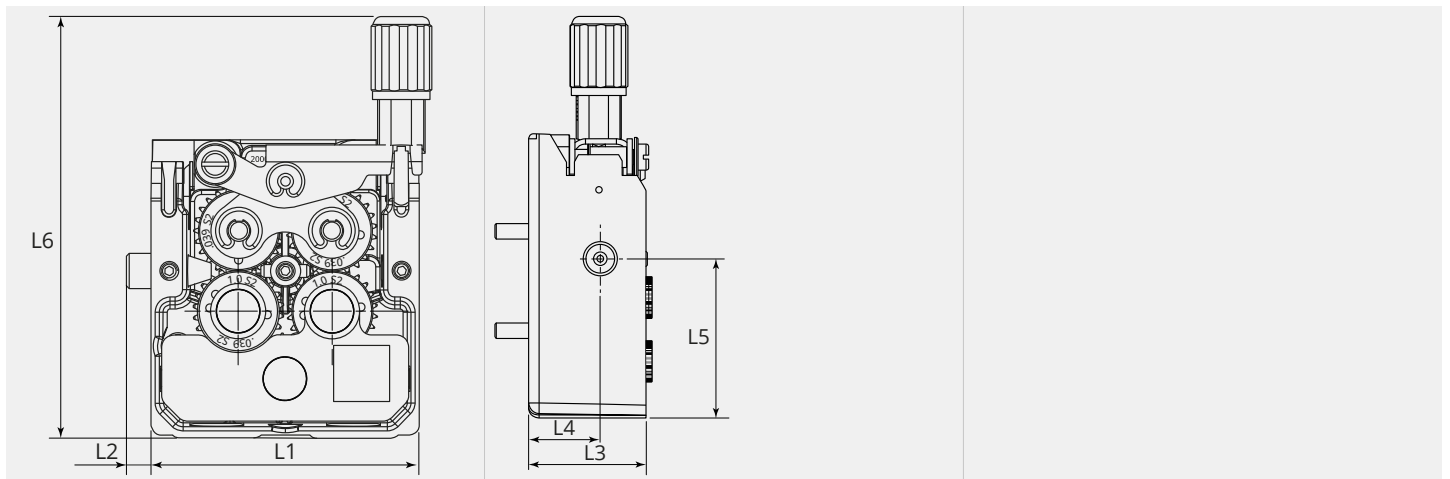
Packing unit: 1



TECHNICAL CHARACTERISTICS

Wire feedroll:	30
Quantity rolls:	4
Driven rolls:	4
Arrangement Rolls:	Bottom
Frame Material:	Aluminium
Pressurearm:	Steel
Motor positions:	6

DIMENSIONAL DRAWING



DIMENSIONAL DRAWING

L1 (mm):	98.0
L2 (mm):	9.0
L3 (mm):	45.0
L4 (mm):	27.5
L5 (mm):	61.0
L6 (mm):	153.9