

4R-Wire Drive System right ME9842-30

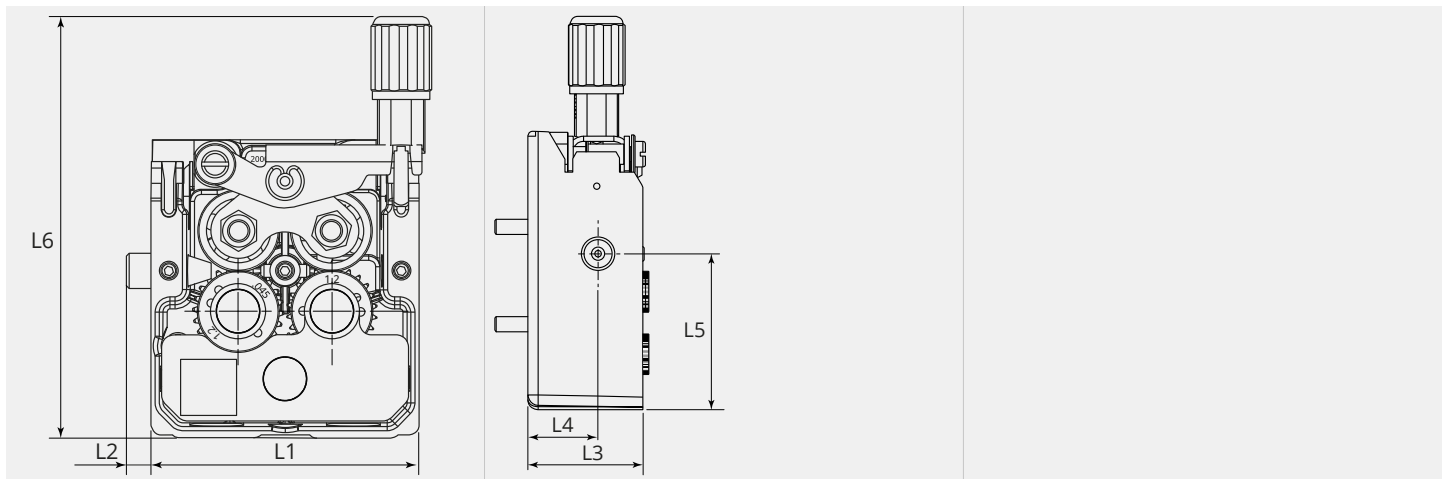
Item number:	66966
Product weight (kg):	1.304 kg
Packing unit:	1



TECHNICAL CHARACTERISTICS

Wire feedroll:	30
Quantity rolls:	4
Driven rolls:	2
Arrangement Rolls:	Bottom
Frame Material:	Aluminium
Pressurearm:	Steel
Motor positions:	6

DIMENSIONAL DRAWING





DIMENSIONAL DRAWING

L1 (mm):	98.0
L2 (mm):	8.9
L3 (mm):	45.0
L4 (mm):	27.5
L5 (mm):	61.0
L6 (mm):	153.9