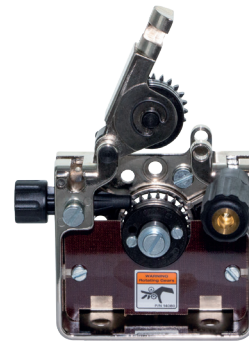
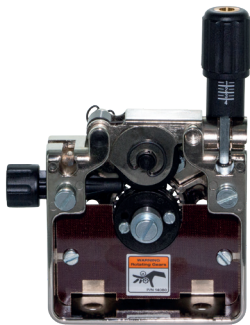
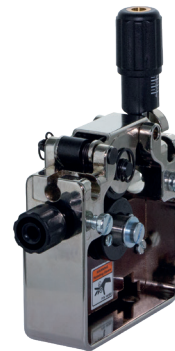


2R-Wire Drive System right MEFR9922-30 T.B.G.

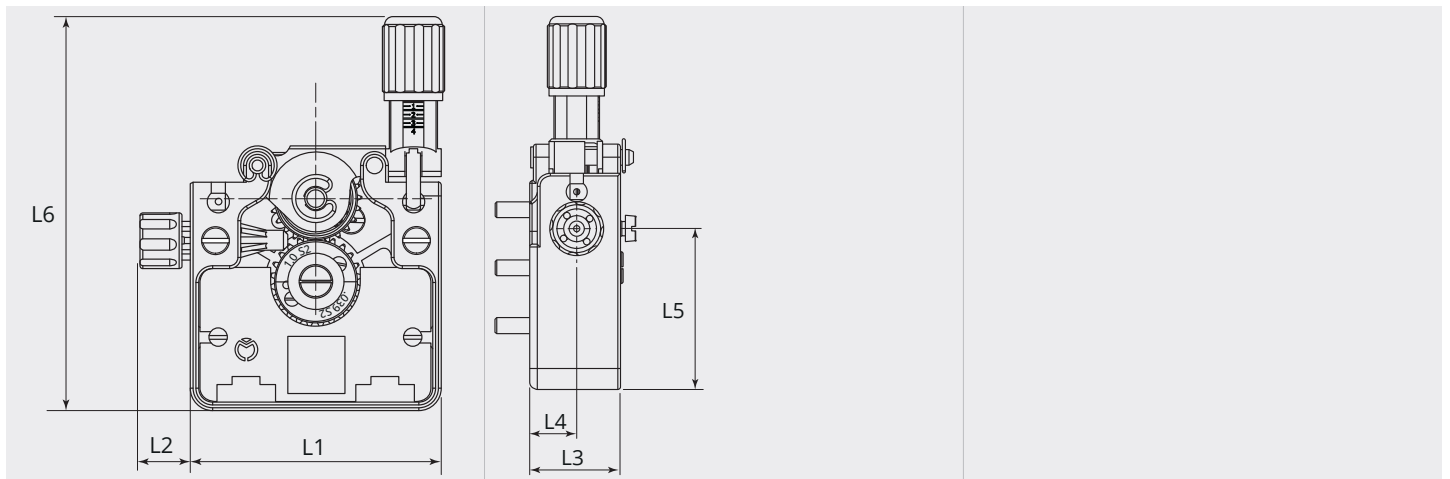
Item number:	65900
Product weight (kg):	0.71 kg
Packing unit:	1



TECHNICAL CHARACTERISTICS

Wire feedroll:	30
Quantity rolls:	2
Driven rolls:	2
Arrangement Rolls:	Top and bottom
Frame Material:	Zinc die casting
Pressurearm:	Zinc die casting
Motor positions:	9

DIMENSIONAL DRAWING





DIMENSIONAL DRAWING

L1 (mm):	90.0
L2 (mm):	18.0
L3 (mm):	34.5
L4 (mm):	18.0
L5 (mm):	61.0
L6 (mm):	141.4