

2R-Wire Drive System right MEFR9922-30

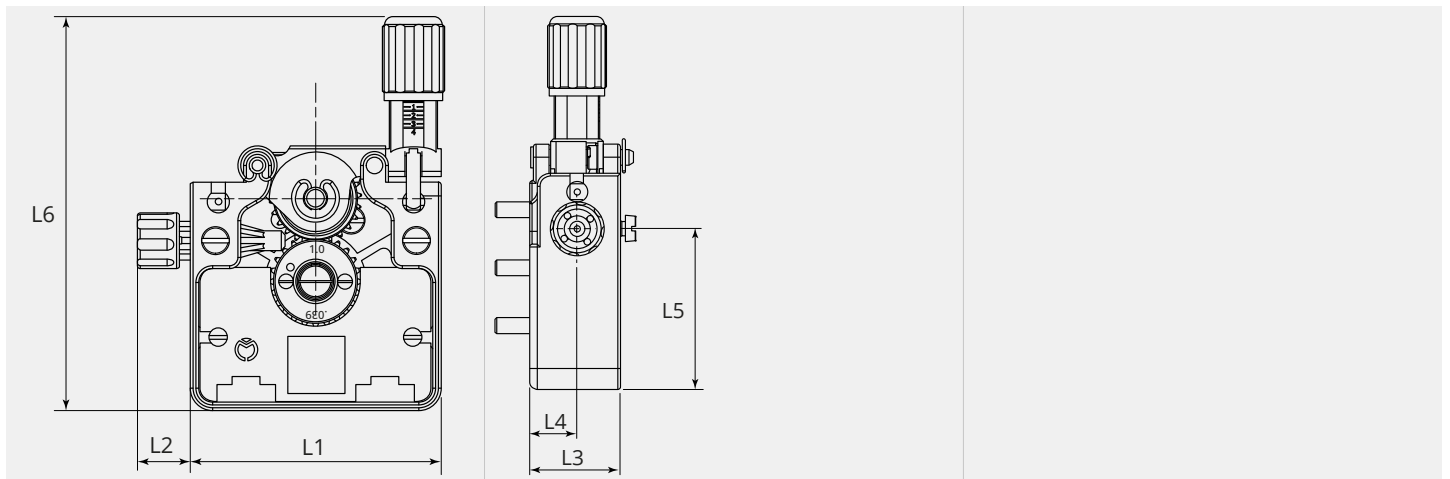
| | |
|----------------------|----------|
| Item number: | 65850 |
| Product weight (kg): | 0.709 kg |
| Packing unit: | 1 |



TECHNICAL CHARACTERISTICS

| | |
|--------------------|------------------|
| Wire feedroll: | 30 |
| Quantity rolls: | 2 |
| Driven rolls: | 2 |
| Arrangement Rolls: | Bottom |
| Frame Material: | Zinc die casting |
| Pressurearm: | Zinc die casting |
| Motor positions: | 9 |

DIMENSIONAL DRAWING





DIMENSIONAL DRAWING

| | |
|-----------------|-------|
| L1 (mm): | 90.0 |
| L2 (mm): | 19.0 |
| L3 (mm): | 34.5 |
| L4 (mm): | 18.0 |
| L5 (mm): | 61.0 |
| L6 (mm): | 141.5 |