

2R-Wire Drive System right MEFR9921-30

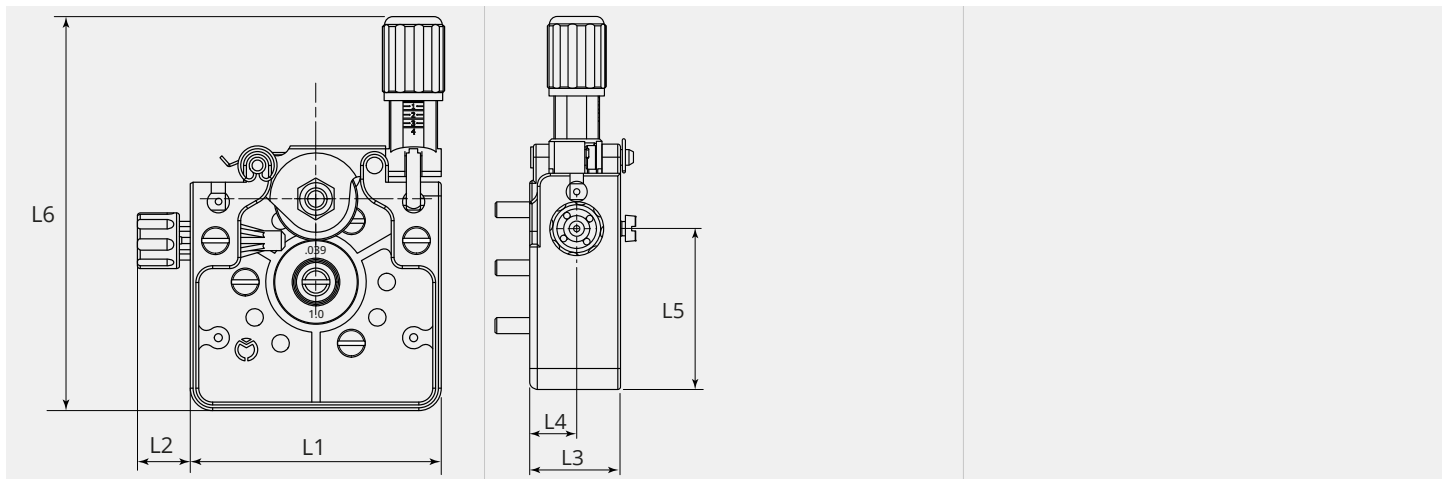
Item number:	65753
Product weight (kg):	0.65 kg
Packing unit:	1



TECHNICAL CHARACTERISTICS

Wire feedroll:	30
Quantity rolls:	2
Driven rolls:	1
Arrangement Rolls:	Bottom
Frame Material:	Zinc die casting
Pressurearm:	Zinc die casting
Motor positions:	9

DIMENSIONAL DRAWING





DIMENSIONAL DRAWING

L1 (mm):	90.0
L2 (mm):	19.0
L3 (mm):	34.5
L4 (mm):	18.0
L5 (mm):	61.0
L6 (mm):	141.4