

Inlet Guide with synthetic liner for 0.8 - 1.2mm Wire

Applies for series: ME8700, ME8900, ME9300, ME9500, ME9900, ME2000-37, ME2000-40, ME2500-37, ME2500-40

Item number:	64016
Product weight (kg):	0.008 kg

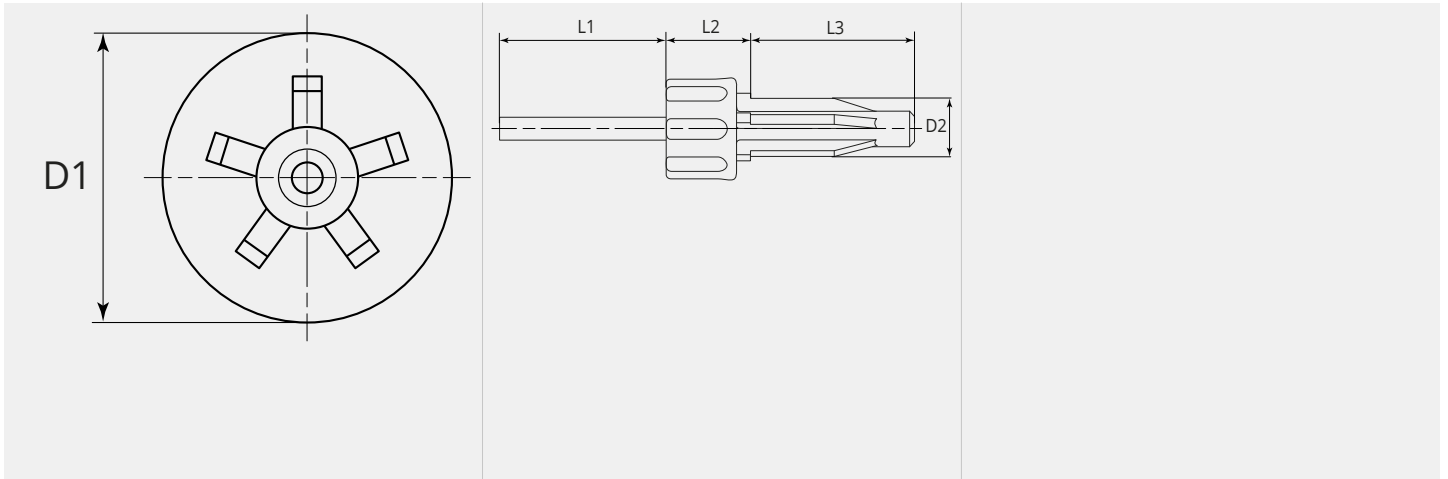


PRODUCT DESCRIPTION

Applies for series: ME8700, ME8900, ME9300, ME9500, ME9900, ME2000-37, ME2000-40, ME2500-37, ME2500-40

TECHNICAL CHARACTERISTICS

Wire (mm):	0.8 - 1.2
Welding wire:	Aluminium
Material:	Plastic
Suitable:	ME8700, ME8900, ME9300, ME9500, ME9900, ME2000, ME2500

DIMENSIONAL DRAWING

DIMENSIONAL DRAWING

L1 (mm):	60.0
L2 (mm):	18.0
L3 (mm):	35.0
D1 (Ø):	19.5
D2 (Ø):	12.0