

# Main Gear Drive for feed roll, black-finish, grinded

Applies for series: ME9800

Item number:	62696
Product weight (kg):	0.0298 kg
Packing unit:	1

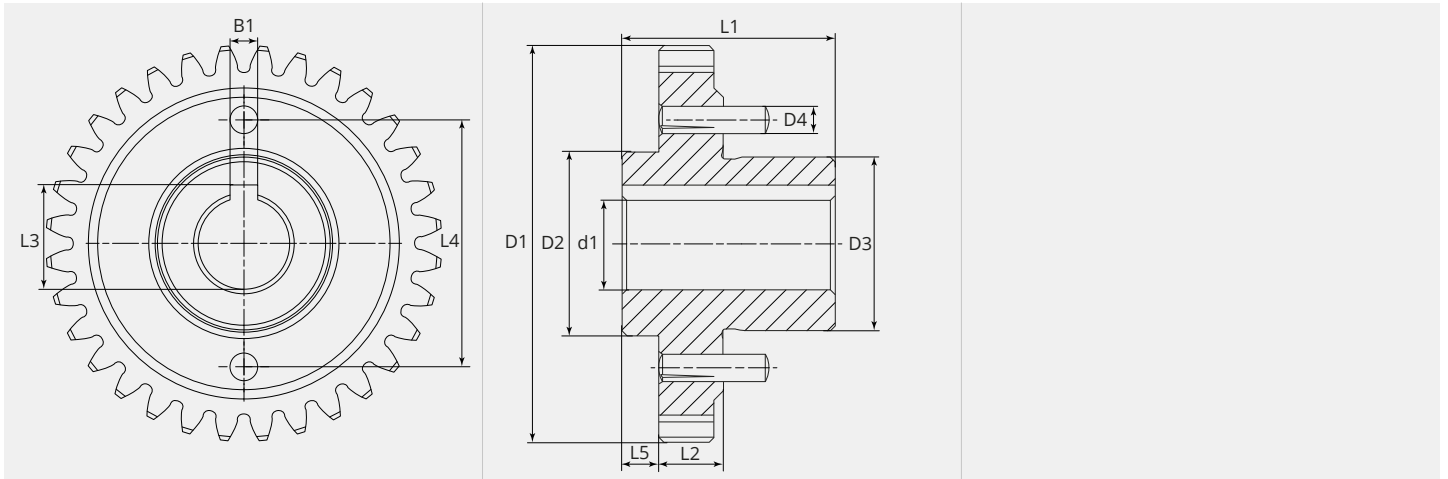


## PRODUCT DESCRIPTION

Applies for series: ME9800

## TECHNICAL CHARACTERISTICS

Type of setting:	Motor shaft
Material:	Hardened steel
Surface:	Black-finish
Isolated:	no
Feed Roll support:	Grinded
Motor/gear distance (mm):	17
Driving pin type:	W/O

**DIMENSIONAL DRAWING**

**DIMENSIONAL DRAWING**

<b>L1 (mm):</b>	18.80
<b>L2 (mm):</b>	4.70
<b>L3 (mm):</b>	11.40
<b>L4 (mm):</b>	21.00
<b>L5 (mm):</b>	1.80
<b>B1 (mm):</b>	3.00
<b>D1 (Ø):</b>	33.2
<b>D2 (Ø):</b>	16.00
<b>D3 (Ø):</b>	13.90
<b>D4 (Ø):</b>	3.00
<b>d1 (Ø):</b>	10.00