

# Main Gear Drive for feed roll, black-finish, grinded

Applies for series: ME2500-37

|                      |         |
|----------------------|---------|
| Item number:         | 62593   |
| Product weight (kg): | 0.07 kg |
| Packing unit:        | 1       |



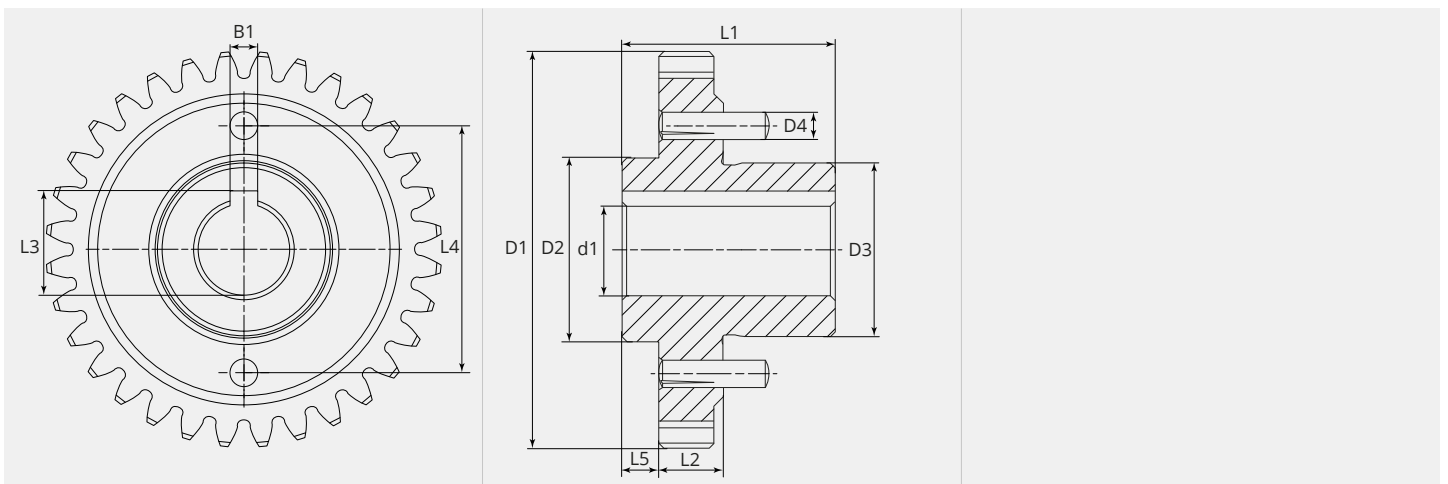
## PRODUCT DESCRIPTION

Applies for series: ME2500-37

## TECHNICAL CHARACTERISTICS

|                                  |                |
|----------------------------------|----------------|
| <b>Type of setting:</b>          | Motor shaft    |
| <b>Material:</b>                 | Hardened steel |
| <b>Surface:</b>                  | Black-finish   |
| <b>Isolated:</b>                 | no             |
| <b>Feed Roll support:</b>        | Grinded        |
| <b>Motor/gear distance (mm):</b> | 12.5           |
| <b>Driving pin type:</b>         | W/O            |
| <b>Motor positions:</b>          | in the centre  |

## DIMENSIONAL DRAWING





**DIMENSIONAL DRAWING**

|                 |       |
|-----------------|-------|
| <b>L1 (mm):</b> | 20.60 |
| <b>L2 (mm):</b> | 6.90  |
| <b>L3 (mm):</b> | 11.40 |
| <b>L4 (mm):</b> | 27.00 |
| <b>L5 (mm):</b> | 1.50  |
| <b>B1 (mm):</b> | 3.00  |
| <b>D1 (Ø):</b>  | 40.2  |
| <b>D2 (Ø):</b>  | 21.00 |
| <b>D3 (Ø):</b>  | 18.90 |
| <b>D4 (Ø):</b>  | 3.00  |
| <b>d1 (Ø):</b>  | 10.00 |