

Pressure roll 37mm flat for pressure arm

Suitable for series: ME2000-37, ME2500-37, ME2600-37 in conjunction with gear adaptor

Item number:	62536
Product weight (kg):	0.07 kg
Packing unit:	1

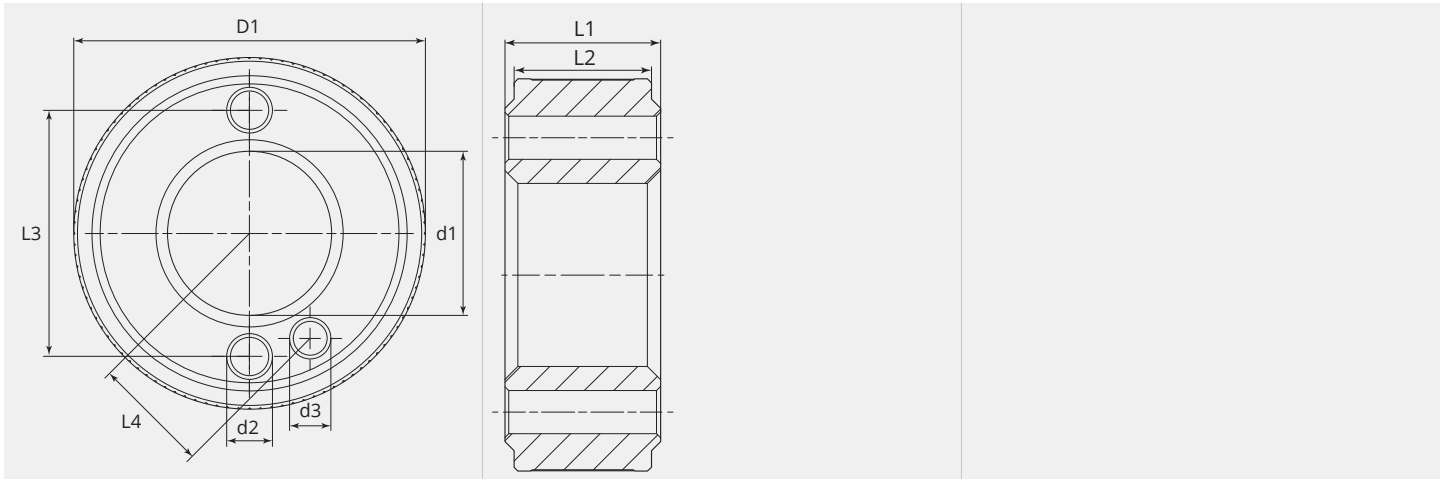


PRODUCT DESCRIPTION

Suitable for series: ME2000-37, ME2500-37, ME2600-37 in conjunction with gear adaptor

TECHNICAL CHARACTERISTICS

Characteristics of the groove:	without groove
Material:	Hardened steel
Surface:	Black-finish
Arrangement Rolls:	Top

DIMENSIONAL DRAWING

DIMENSIONAL DRAWING

L1 (mm):	12.00
L2 (mm):	10.60
L3 (mm):	27.00
L4 (mm):	13.50
D1 (Ø):	37.8
d1 (Ø):	18.90
d2 (Ø):	3.30
d3 (Ø):	3.70