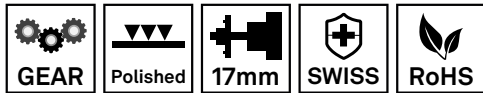


# Main Gear Drive for feed roll, black-finish, grinded

Applies for series: ME2000-37

Item number:	62356
Product weight (kg):	0.076 kg
Packing unit:	1



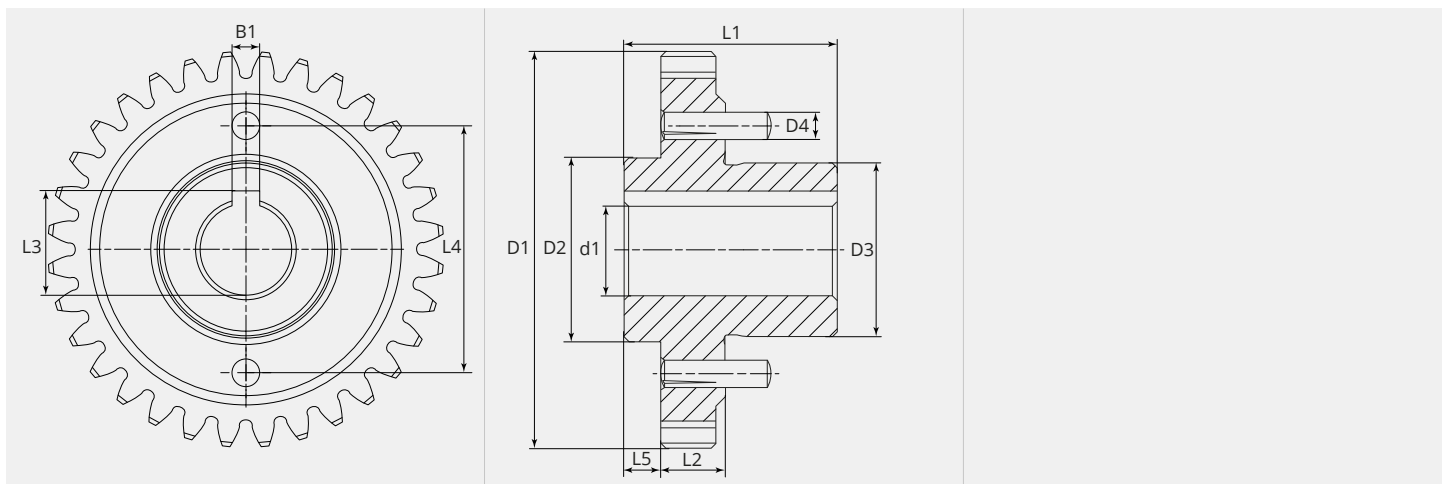
## PRODUCT DESCRIPTION

Applies for series: ME2000-37

## TECHNICAL CHARACTERISTICS

<b>Type of setting:</b>	Motor shaft
<b>Material:</b>	Hardened steel
<b>Surface:</b>	Black-finish
<b>Isolated:</b>	no
<b>Feed Roll support:</b>	Grinded
<b>Motor/gear distance (mm):</b>	17
<b>Driving pin type:</b>	W/O
<b>Motor positions:</b>	on the side

## DIMENSIONAL DRAWING





**DIMENSIONAL DRAWING**

<b>L1 (mm):</b>	23.20
<b>L2 (mm):</b>	7.00
<b>L3 (mm):</b>	11.40
<b>L4 (mm):</b>	27.00
<b>L5 (mm):</b>	4.00
<b>B1 (mm):</b>	3.00
<b>D1 (Ø):</b>	40.2
<b>D2 (Ø):</b>	20.00
<b>D3 (Ø):</b>	18.90
<b>D4 (Ø):</b>	3.00
<b>d1 (Ø):</b>	10.00