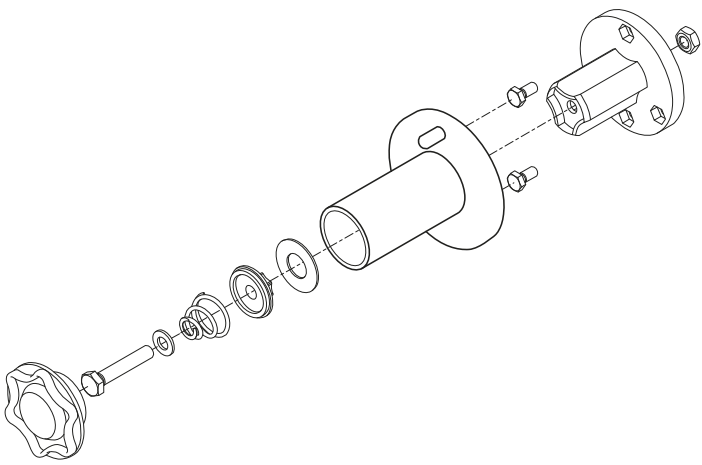


Reel Hub with 2 fastening screws

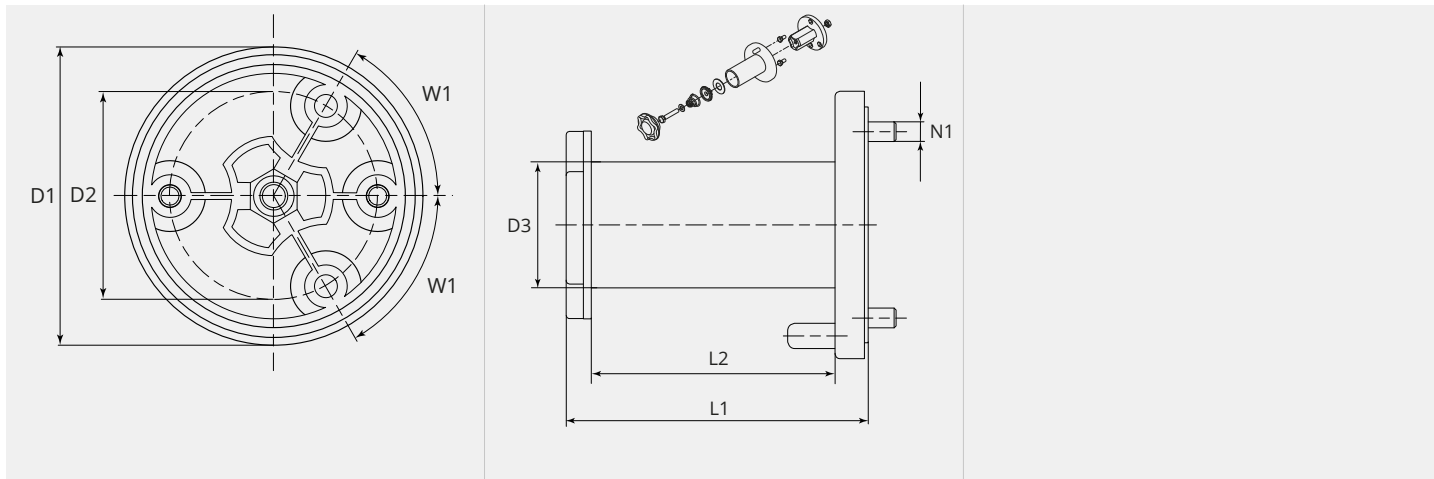
Item number: 62059

Product weight (kg): 0.3 kg



TECHNICAL CHARACTERISTICS

Material: Plastic

DIMENSIONAL DRAWING

DIMENSIONAL DRAWING

L1 (mm):	121.5
L2 (mm):	98.0
D1 (Ø):	107.5
D2 (Ø):	75.0
D3 (Ø):	50.6
N1:	M8
W1 (°):	60.0