

Main Gear Drive for feed roll, black-finish, grinded

Applies for series: ME8700, ME9900-2R

Item number:	62045
Product weight (kg):	0.03 kg
Packing unit:	1



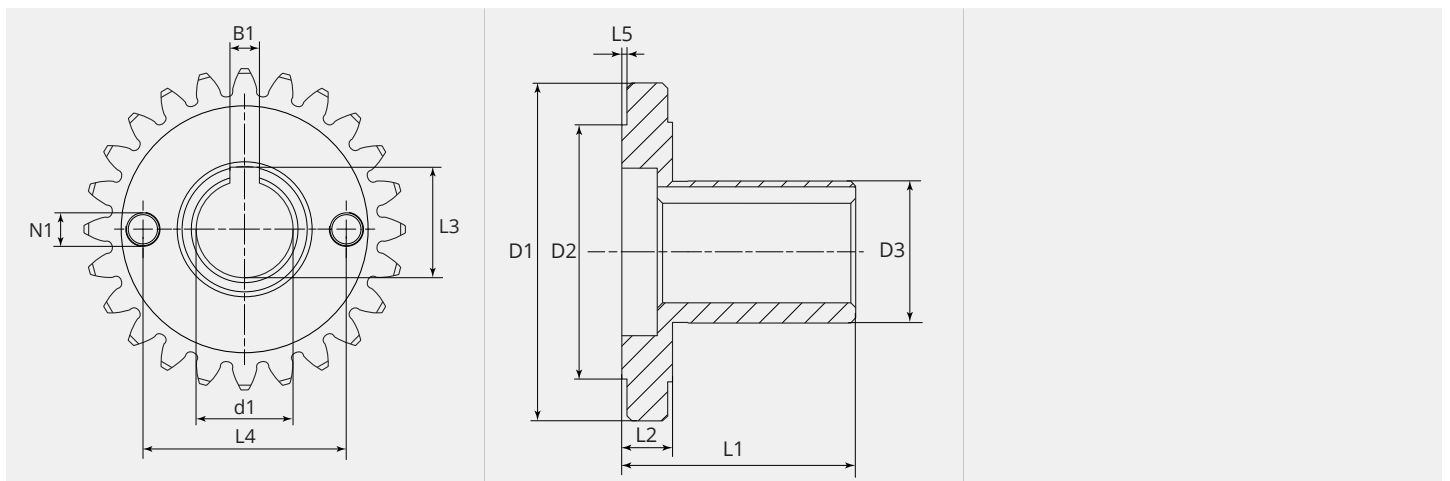
PRODUCT DESCRIPTION

Applies for series: ME8700, ME9900-2R

TECHNICAL CHARACTERISTICS

Type of setting:	Motor shaft
Material:	Hardened steel
Surface:	Black-finish
Isolated:	no
Feed Roll support:	Grinded
Motor/gear distance (mm):	12.5
Driving pin type:	W/O
Motor positions:	in the centre

DIMENSIONAL DRAWING





DIMENSIONAL DRAWING

L1 (mm):	23.00
L2 (mm):	4.50
L3 (mm):	11.40
L4 (mm):	21.00
L5 (mm):	0.50
B1 (mm):	3.00
D1 (Ø):	33.2
D2 (Ø):	25.00
D3 (Ø):	13.90
d1 (Ø):	10.00
N1:	M3