

# Feed Roll with keyway 30mm 1.0+1.2 for steel wire

Suitable for series: ME8700, ME9900-2R

Item number:	62022
Product weight (kg):	0.07 kg
Packing unit:	1

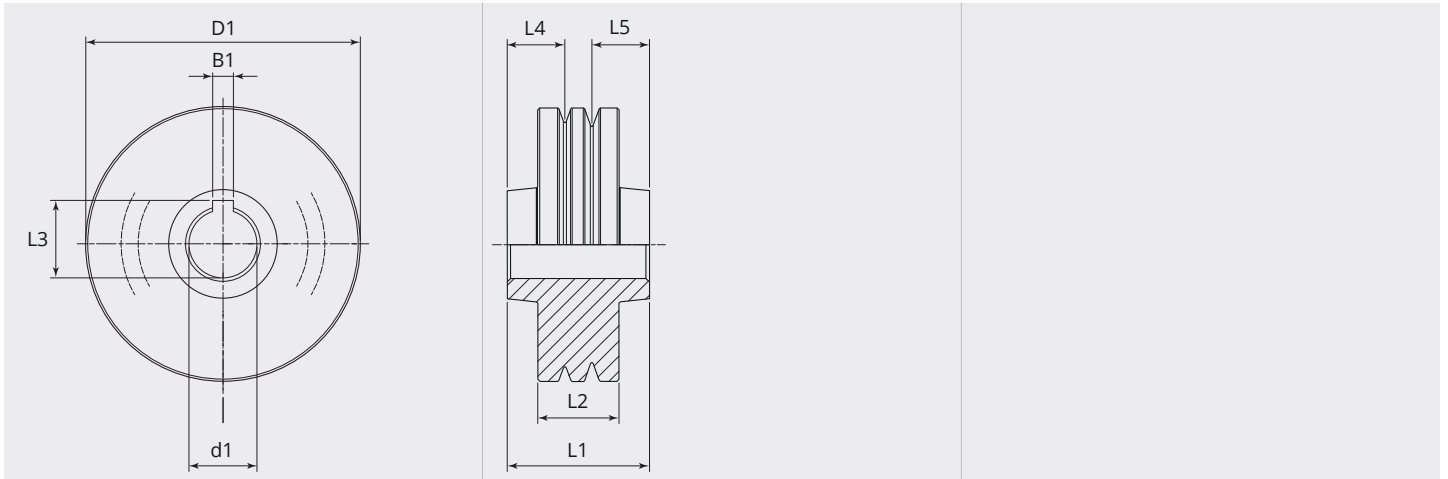


## PRODUCT DESCRIPTION

Suitable for series: ME8700, ME9900-2R

## TECHNICAL CHARACTERISTICS

Wire (mm):	1.0 + 1.2
Welding wire:	Steel
Groove shape:	V
Characteristics of the groove:	flat
Type of setting:	Keyway
Material:	Hardened steel
Surface:	Black-finish
Arrangement Rolls:	Bottom

**DIMENSIONAL DRAWING**

**DIMENSIONAL DRAWING**

L1 (mm):	18.30
L2 (mm):	12.30
L3 (mm):	11.40
L4 (mm):	5.50
L5 (mm):	5.50
B1 (mm):	3.05
D1 (Ø):	30
d1 (Ø):	10.00

From 300 pieces we produce your personal feed roll with logo. On request feed rolls are also available in stainless steel.