

# Feed Roll with keyway 30mm 0.8+0.9 for aluminium wire

Suitable for series: ME8700, ME9900-2R

Item number:	62016
Product weight (kg):	0.07 kg
Packing unit:	1



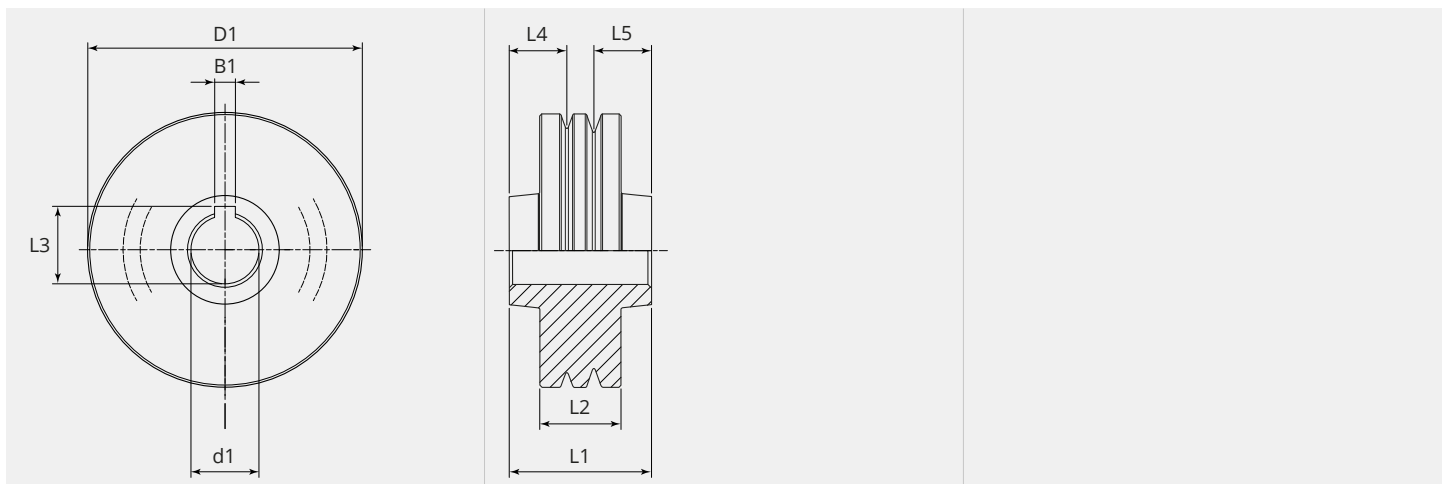
## PRODUCT DESCRIPTION

Suitable for series: ME8700, ME9900-2R

## TECHNICAL CHARACTERISTICS

<b>Wire (mm):</b>	0.8 + 0.9
<b>Welding wire:</b>	Aluminium
<b>Groove shape:</b>	U
<b>Characteristics of the groove:</b>	flat
<b>Type of setting:</b>	Keyway
<b>Material:</b>	Hardened steel
<b>Surface:</b>	Black-finish
<b>Arrangement Rolls:</b>	Bottom

## DIMENSIONAL DRAWING



**DIMENSIONAL DRAWING**

<b>L1 (mm):</b>	18.30
<b>L2 (mm):</b>	12.30
<b>L3 (mm):</b>	11.40
<b>L4 (mm):</b>	5.50
<b>L5 (mm):</b>	5.50
<b>B1 (mm):</b>	3.05
<b>D1 (Ø):</b>	30
<b>d1 (Ø):</b>	10.00

From 300 pieces we produce your personal feed roll with logo. On request feed rolls are also available in stainless steel.