

Pressure roll 30mm flat for pressure arm

Suitable for series: ME8700, ME8900, ME9800, ME9900

Item number:	62012
Product weight (kg):	0.031 kg
Packing unit:	1



PRODUCT DESCRIPTION

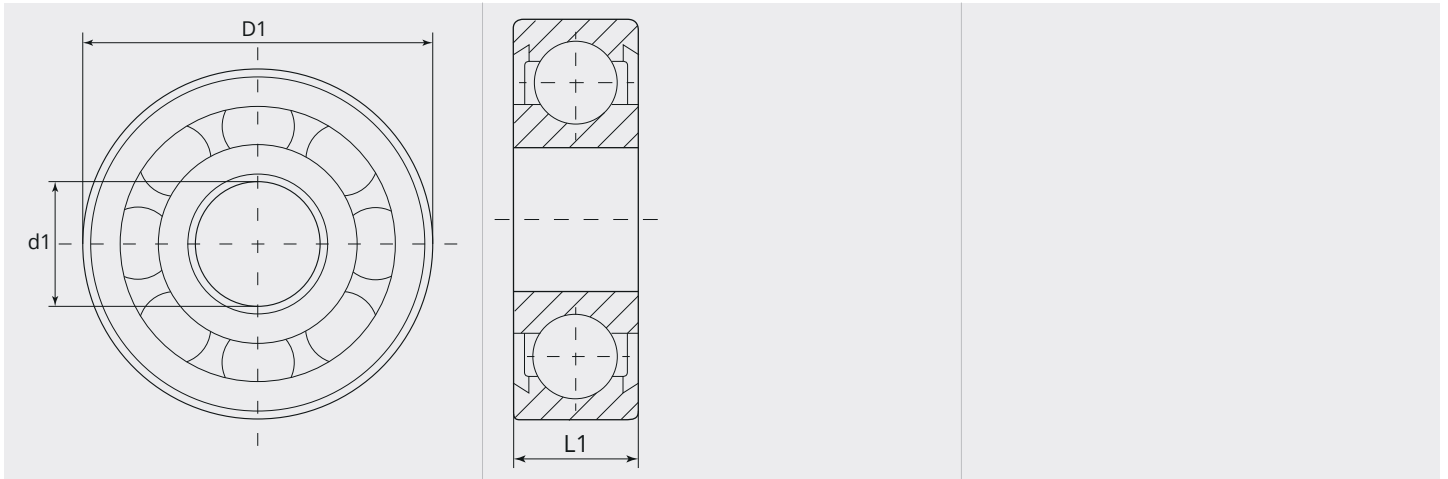
Suitable for series: ME8700, ME8900, ME9800, ME9900

TECHNICAL CHARACTERISTICS

Characteristics of the groove: without groove

Material: Hardened steel

Arrangement Rolls: Top

DIMENSIONAL DRAWING

DIMENSIONAL DRAWING

L1 (mm):	9.00
D1 (Ø):	30
d1 (Ø):	10.00